


NOTES:

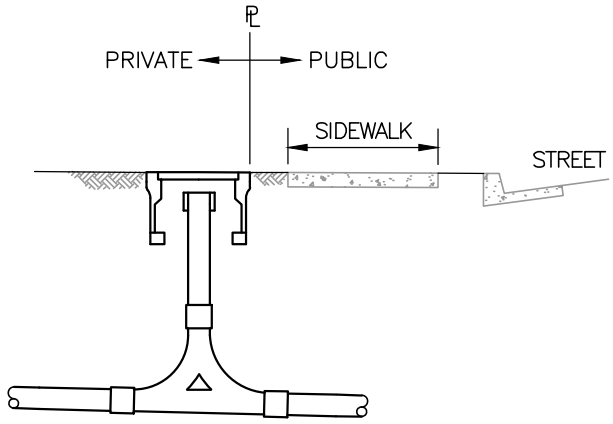
1. INSTALL CLEANOUTS ON ALL 4" SEWER LATERAL SERVICES. INSTALL "LOOSE CAP" USING RUBBER, STAINLESS STEEL BANDED END CAP, LOOSELY TIGHTENED TO ALLOW FLUID BACK PRESSURE TO REMOVE THE CAP, OR SEWER POPPER, OR SIMILAR.
2. IN DRIVEWAYS: USE CHRISTY B03C CAST-IRON LID OR EQUAL; IN LAWN/LANDSCAPE AREAS OR SIDEWALKS NOT SUBJECT TO TRAFFIC LOADING: USE CHRISTY B03D REINFORCED CONCRETE LID. IN DRIVEWAY AREAS, ANGLE BOX TO MATCH DRIVEWAY SLOPE.
3. INSTALL 2-WAY CLEANOUTS IF REQUIRED PER PLANS AND AT PROPERTY/RIGHT-OF-WAY LINE.
4. SUPPORT NOT NEEDED IF SET IN CONCRETE.
5. PROVIDE OVERFLOW PROTECTION OR BACKWATER DEVICE IF THE DIFFERENCE IN ELEVATION BETWEEN THE LOWEST FLOOR WITH PLUMBING WASTE FIXTURES OR FLOOR DRAINS AND THE RIM OF THE NEAREST UPSTREAM MANHOLE OR CLEANOUT CAP IS 12" OR LESS.
6. PROVIDE ADDITIONAL CLEANOUTS IF GREATER THAN 100 FT SPACING OR FOR EACH AGGREGATE HORIZONTAL CHANGE OF DIRECTION EXCEEDING 135 DEGREES.
7. FOR CLEANOUT LOCATION SEE DETAIL ON SHEET 2.
8. CLEARANCE FROM TOP OF CHRISTY BOX TO TOP OF CAP SHALL BE 3.5" MINIMUM.

NO.	REVISED	BY	APP.

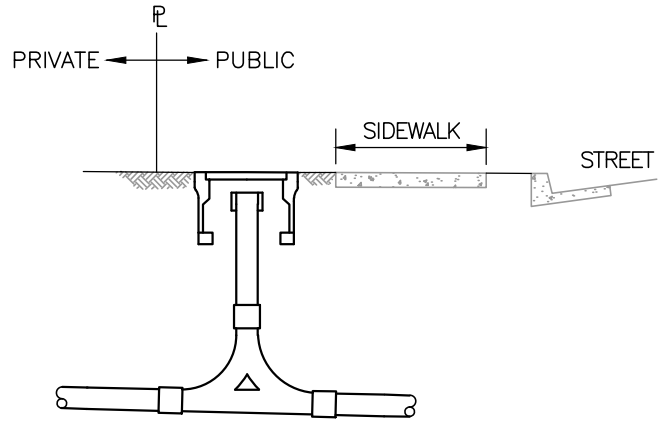
	DSN: CLG	CITY OF ALAMEDA, CALIFORNIA PUBLIC WORKS DEPARTMENT	STD DETAIL
	DWN: CLG	4" SEWER LATERAL TWO-WAY CLEANOUT	SS-1
	CHK MNO	ED SOMMERAUER CITY ENGINEER	SHEET 1 OF 2
	JAN 2015	DATE	SCALE: NONE

Images: Alameda.png; Xrefs:
 Path: F:\BMAP-STD\Alameda\Std\Alameda\Std\Alameda SS Std Draft.dwg Layout Name: SS 1-1 Plot Date: Feb 04, 2015 at 13:49

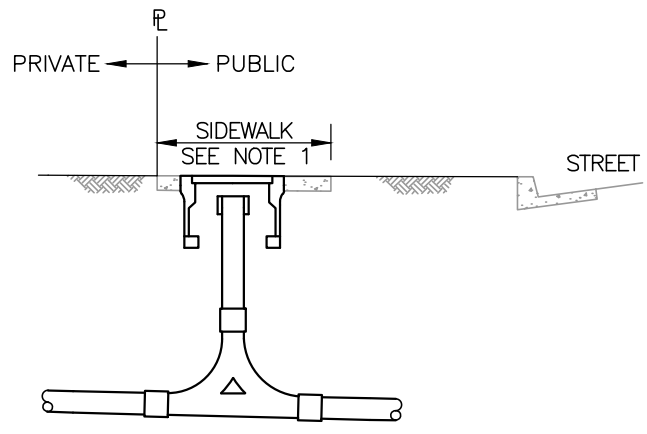
Images: Alameda.png; Xrefs: Path: F:\BMAP-STD\Alameda\Std\Alameda\Std\Std Draft.dwg Layout Name: SS 1-2 Plot Date: Feb 04, 2015 at 11:29



STREET SERVICE
BEHIND THE SIDEWALK
ON PRIVATE PROPERTY
NTS

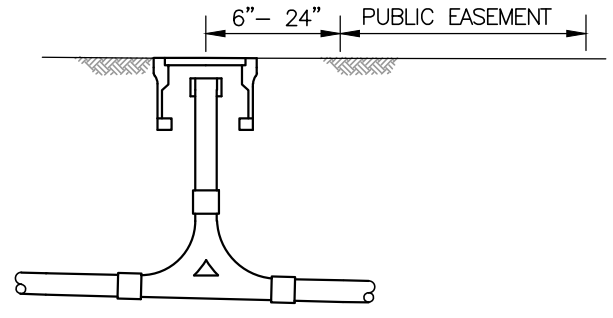


STREET SERVICE
BEHIND THE SIDEWALK
IN PUBLIC RIGHT OF WAY
NTS



WITH APPROVAL OF THE CITY, CLEANOUTS MAY BE INSTALLED IN SIDEWALK WHERE A WALL OR OTHER STRUCTURE PREVENTS INSTALLATION BEHIND WALK. **RIGHT OF WAY CONCRETE PERMIT IS REQUIRED.**

STREET SERVICE
SIDEWALK OR DRIVEWAY
NTS



CLEANOUTS ON SERVICES AT EASEMENTS INSTALLED 6" TO 24" OUTSIDE THE EASEMENT. **CONTACT PUBLIC WORKS FOR LOCATION OF PUBLIC EASEMENT.**

EASEMENT SERVICE
NTS

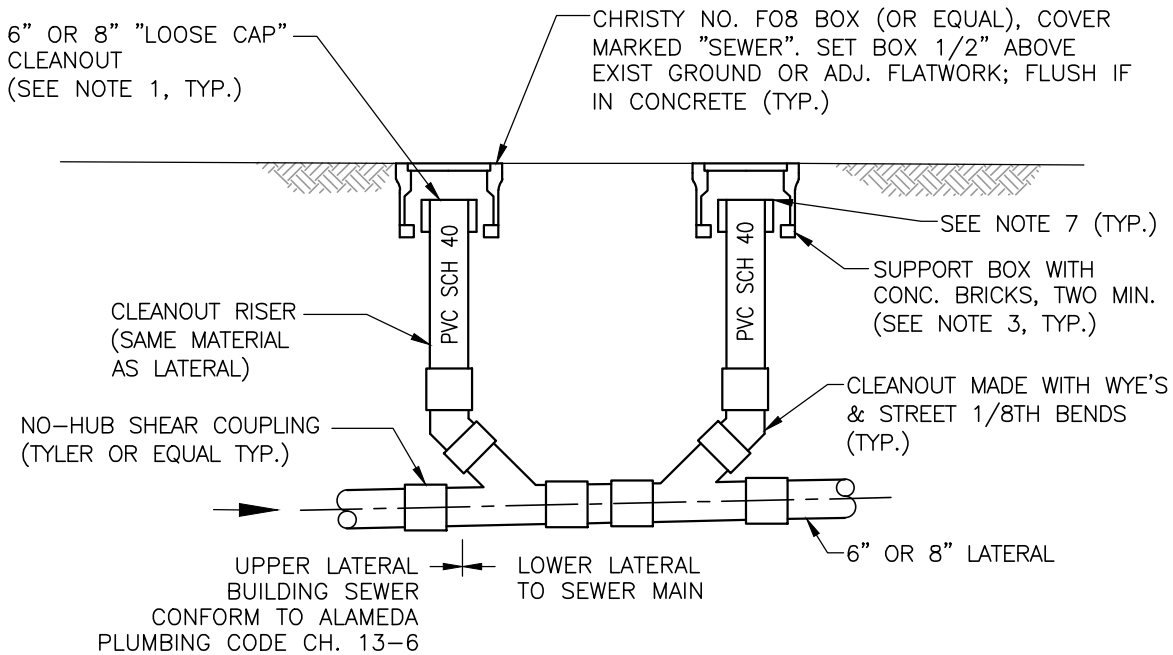
NOTE:

1. RECONSTRUCT SIDEWALK PER CITY STANDARD PLAN 6297-24. INSTALL REBAR PER SHEET 1. LIMITS FOR CONCRETE RECONSTRUCTION TO BE NEAREST SCORE MARK OR AS DIRECTED BY CITY ENGINEER.

NO.	REVISED	BY	APP.

	DSN: CLG	CITY OF ALAMEDA, CALIFORNIA PUBLIC WORKS DEPARTMENT	STD DETAIL SS-1 SHEET 2 OF 2
	DWN: CLG		
	CHK MNO	ED SOMMERAUER CITY ENGINEER	DATE
	JAN 2015		


Images: Alameda.png; Xrefs:
 Path: F:\BMAP-STD\Alameda\Std\Alameda\Std\Alameda\Std\Draft.dwg Layout Name: SS 2-1 Plot Date: Feb 04, 2015 at 13:47



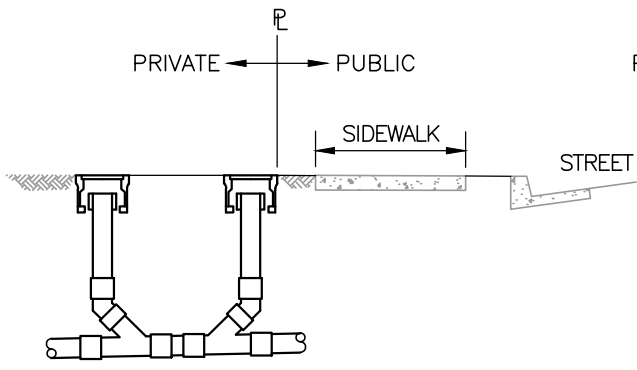
NOTES:

1. INSTALL CLEANOUTS ON ALL 6" AND 8" SEWER LATERAL SERVICES UNLESS OTHERWISE SPECIFIED. INSTALL "LOOSE CAP" USING RUBBER, STAINLESS STEEL BANDED END CAP, LOOSELY TIGHTENED TO ALLOW FLUID BACK PRESSURE TO REMOVE THE CAP, OR SEWER POPPER, OR SIMILAR.
2. IN DRIVEWAYS: USE CHRISTY F08C CAST IRON LID OR EQUAL; IN LAWN/LANDSCAPE AREAS OR SIDEWALKS NOT SUBJECT TO TRAFFIC LOADING: USE CHRISTY F08R REINFORCED CONCRETE LID. IN DRIVEWAY AREAS, ANGLE BOX TO MATCH DRIVEWAY SLOPE.
3. SUPPORT NOT NEEDED IF SET IN CONCRETE.
4. PROVIDE OVERFLOW PROTECTION OR BACKWATER DEVICE IF THE DIFFERENCE IN ELEVATION BETWEEN THE LOWEST FLOOR WITH PLUMBING WASTE FIXTURES OR FLOOR DRAINS AND THE RIM OF THE NEAREST UPSTREAM MANHOLE OR CLEANOUT IS 12" OR LESS.
5. PROVIDE ADDITIONAL CLEANOUTS IF GREATER THAN 100 FT SPACING OR FOR EACH AGGREGATE HORIZONTAL CHANGE OF DIRECTION EXCEEDING 135 DEGREES.
6. FOR CLEANOUT LOCATION SEE DETAIL ON SHEET 2.
7. CLEARANCE FROM TOP OF CHRISTY BOX TO TOP OF CAP SHALL BE 3.5" MINIMUM.

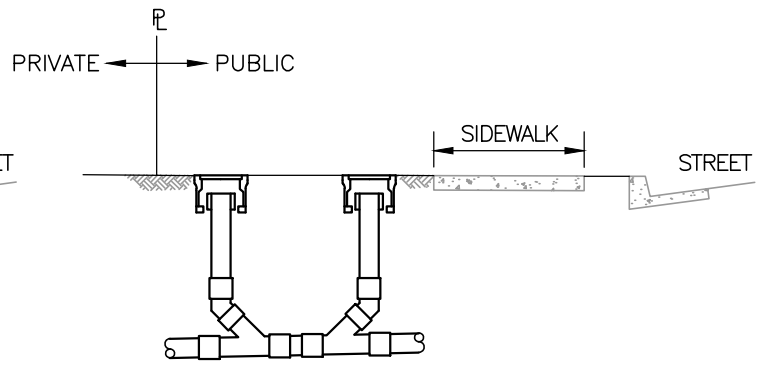
NO.	REVISED	BY	APP.

	DSN: CLG	CITY OF ALAMEDA, CALIFORNIA PUBLIC WORKS DEPARTMENT 6" OR 8" SEWER LATERAL TWO-WAY CLEANOUT	STD DETAIL	
	DWN: CLG		SS-2	
	CHK MNO	ED SOMMERAUER CITY ENGINEER	DATE	SHEET 1 OF 2
	JAN 2015			SCALE: NONE

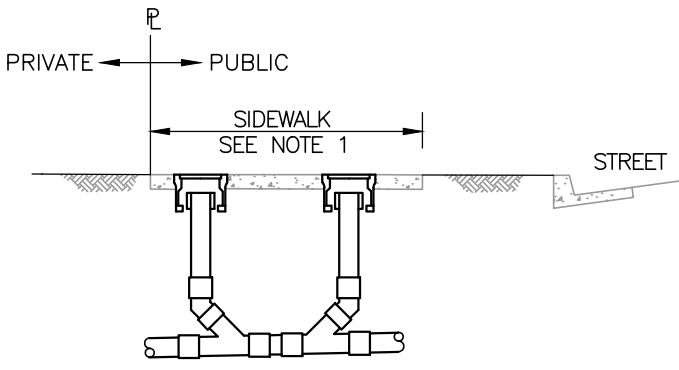
Images: Alameda.png; Xrefs: Path: F:\BMAP-STD\Alameda\Std\Alameda\Std\Alameda\Std\Std Draft.dwg Layout Name: SS 2-2 Plot Date: Feb 04, 2015 at 11:29



STREET SERVICE
BEHIND THE SIDEWALK
ON PRIVATE PROPERTY
NTS

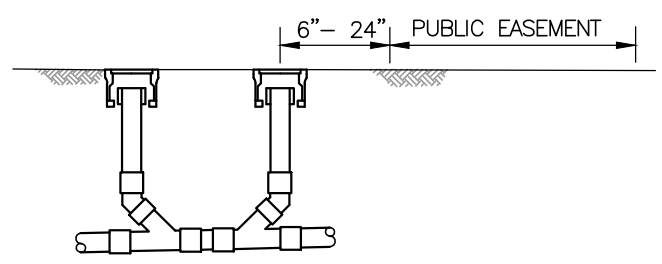


STREET SERVICE
BEHIND THE SIDEWALK
IN PUBLIC RIGHT OF WAY
NTS



STREET SERVICE
SIDEWALK OR DRIVEWAY
NTS

WITH APPROVAL OF THE CITY, CLEANOUTS MAY BE INSTALLED IN SIDEWALK WHERE A WALL OR OTHER STRUCTURE PREVENTS INSTALLATION BEHIND WALK. **RIGHT OF WAY CONCRETE PERMIT IS REQUIRED.**




EASEMENT SERVICE
NTS

CLEANOUTS ON SERVICES AT EASEMENTS INSTALLED 6" TO 24" OUTSIDE THE EASEMENT. **CONTACT PUBLIC WORKS FOR LOCATION OF PUBLIC EASEMENT.**

NOTE:

1. RECONSTRUCT SIDEWALK PER CITY STANDARD PLAN 6297-24. INSTALL REBAR PER SHEET 1. LIMITS FOR CONCRETE RECONSTRUCTION TO BE NEAREST SCORE MARK OR AS DIRECTED BY CITY ENGINEER.

NO.	REVISED	BY	APP.

	DSN: CLG	CITY OF ALAMEDA, CALIFORNIA PUBLIC WORKS DEPARTMENT	STD DETAIL SS-2 SHEET 2 OF 2
	DWN: CLG		
	CHK MNO	ED SOMMERAUER CITY ENGINEER	DATE
	JAN 2015		

**6" OR 8" SEWER LATERAL
TWO-WAY CLEANOUT**