


CITY OF ALAMEDA
MAINTENANCE SPECIFICATIONS
AND PLANS
FOR
REMOVAL AND INSTALLATION OF
THREE NEW, CITY SUPPLIED, HVAC
TRANE ROOF UNITS AT THE
ALAMEDA POLICE DEPARTMENT,
P.W. 03-14-12

NO PREBID MEETING

BID DUE DATE:
LOCATION:

Wednesday, April 9, 2014 by 2:00 p.m.
City Hall West
Public Works Department
950 W. Mall Square, Suite 110
Alameda, CA 94501



Jesse Barajas
Public Works Superintendent

TABLE OF CONTENTS

Section I.	Proposal and Contract Requirements
Section II.	Legal Relations and Responsibility
Section III.	Scope of Work
Section IV.	Control
Section V.	Measurements and Payments
Section VI.	Quantities
Section VII.	Construction Details
Exhibit A	Bidder's Proposal
Exhibit B	Contractor's Certified Payroll Forms
Exhibit C	Contractor Agreement
Exhibit D	Emergency Form
Exhibit E	Performance Bond Form
Exhibit F	Payment Bond Form
Exhibit G	Bidder's Bond
Exhibit H	Trane Cut Sheets for HVAC Units

CITY OF ALAMEDA, CALIFORNIA

SPECIFICATIONS, SPECIAL PROVISIONS AND PLANS
FOR
MAINTENANCE

SECTION I. PROPOSAL AND CONTRACT REQUIREMENTS

A. GENERAL INFORMATION. The City of Alameda will receive sealed bid at the time and place specified in the advertisement calling for bids for:

REMOVAL AND INSTALLATION OF THREE NEW, CITY SUPPLIED, HVAC TRANE ROOF UNITS AT ALAMEDA POLICE DEPARTMENT, P.W. 03-14-12

Electronic specifications and bidders forms for bidding this project can only be obtained at the City of Alameda website, www.cityofalameda.ca.gov/Business/Bids-RFPs. There is no cost for the specifications.

B. EXAMINATION OF PLANS, SPECIFICATIONS, SPECIAL PROVISIONS AND SITE OF WORK. The bidder is required to examine carefully the site and the proposal, plans, specifications and contract forms for the work contemplated, and it will be assumed that the bidder has investigated and is satisfied as to the conditions to be encountered, as to the character, quality and quantities of work to be performed and materials to be furnished, and as to the requirements of the specifications, the special provisions and the contract.

C. DESIGNATIONS. As used herein "City" shall mean the City of Alameda; "Council" or "City Council" shall mean the Council of the City; "City Manager" shall mean the City Manager of the City; "Engineer" or "PW Supervisor" shall mean the Public Works Supervisor or Public Works Supervisor's designee of the City; "Director" shall mean the Public Works Director of the City; and "Contractor" shall mean the bidder who is awarded the contract for the work.

D. PROPOSAL FORM. All bids must be made upon blank forms which are included in these specifications (Exhibit A).

All bids must give the prices proposed, **both in writing and in figures.** Bids must be signed by the Bidder. If the proposal is signed by an individual, that individual's name and business address must be shown. If made by a firm or partnership, the name and the post office address of each member of the firm or partnership must be shown. If made by a corporation, the proposal must show the name of the state under the laws of which the corporation was chartered and the names, titles, and business addresses of the president, secretary and treasurer.

E. PRESENTING AND MARKING OF BIDS. Bids must be presented to the Public Works Department, 950 W. Mall Square, Room 110, Alameda, California, under sealed cover, plainly marked on the outside, "**REMOVAL AND INSTALLATION OF THREE NEW, CITY SUPPLIED, HVAC TRANE ROOF UNITS AT ALAMEDA POLICE DEPARTMENT, P.W. 03-14-12**", not later than **2:00 p.m.** on the date set forth in the following paragraph.

Bids will be opened at **City Hall West, 950 W. Mall Square, Suite 110, Alameda CA 94501 at 2:01 p.m. on Wednesday April 9, 2014.**

F. TAXES. Bids must include all state and federal taxes applicable to the transaction.

G. SUBCONTRACTORS. All contractors shall comply with the State Subletting and Subcontracting Fair Practices Act, located in Sections 4100 through 4112 of the California Public Contract Code. A copy of said Act is available in the office of the PW Supervisor. Said Act is hereby made a part of the specifications on the above-mentioned job and all contractors submitting bids shall accompany the bid with information regarding subcontractors as therein provided. All Subcontractors shall have a current City of Alameda business license.

H. REJECTION OR RETURN OF BIDS. Bids may be rejected if they show any alterations of form, additions not called for, conditional or alternative bids, incomplete bids, erasures or irregularities of any kind. The right is reserved to reject any and all bids. The City reserves the right to return bids unopened.

I. BID PROTEST. Any bid protest must be submitted in writing to the Public Works Director, City of Alameda Public Works Department, City Hall West, 950 West Mall Square, Room 110, Alameda, CA 94501 before 5:00 p.m. of the 10th business day following bid opening.

1. The initial protest document shall contain a complete statement of the basis for the protest.
2. The protest shall refer to the specific portion of the document which forms the basis for the protest.
3. The protest shall include the name, address, and telephone number of the person representing the protesting party.
4. The party filing the protest shall concurrently transmit a copy of the initial protest document and any attached documentation to all other parties with a direct financial interest which may be adversely affected by the outcome of the protest. Such parties shall include all other Bidders or proposers who appear to have a reasonable prospect of receiving an award depending upon the outcome of the protest.
5. The Public Works Director will issue a decision on the protest. If the Public Works Director determines that a protest is frivolous, the party originating the protest may be determined to be irresponsible and that party may be determined to be ineligible for future contract awards.
6. The procedure and time limits set forth in this paragraph are mandatory and are the Bidder's sole and exclusive remedy in the event of Bid protest and failure to comply with these procedures shall constitute a waiver of any right to further pursue the bid protest, including filing a Government Code Claim or legal proceedings.

J. AWARD OF CONTRACT. The award of contract, if it be awarded, will be to the responsible bidder who submits the lowest and best bid and whose proposal complies with all requirements described herein. The award, if made, will be made within ninety (90) days after the opening of the bids. All bids will be compared on the basis of the Engineer's estimate of quantities of work to be done. In the event of a delay the City reserves the right to hold the Bidder to its bid for 90 days from the date the contract is awarded.

Bid protests, contracts, bonds, insurance, and other documents identified in these specifications and these special provisions are to be delivered to the following City address: City of Alameda, City Hall West, Public Works Department, 950 West Mall Square, Room 110, Alameda, CA 94501.

K. EXECUTION OF CONTRACT. The contract, in form and content satisfactory to the City, will be awarded at a regular City Council meeting (first and third Tuesdays of each month, except August). At least five (5) business days prior to the anticipated award date, the Contractor will be notified of apparent award status and requested to provide the documents necessary to complete the contract process. Required documentation shall include two (2) copies of the contract executed by the Contractor, proof of insurance and Payment and Performance bonds. The Contractor will be given five (5) business days from the date the City Council awards the contract to obtain the relevant bonds and insurance along with any other documents required for submission.

No proposal shall be considered binding upon the City until the execution of the contract. Failure to execute a contract and file acceptable bonds and insurance as provided herein within the time frame outlined above shall be just cause for the annulment of the award and the forfeiture of the bidder's guaranty.

L. CONTRACT BONDS. The Contractor shall furnish two good and sufficient bonds. One of the bonds shall be executed in a sum equal to at least one hundred percent (100%) of the contract price, which shall be furnished as required by the Terms of Section 3247 to 3252 of the Civil Code of the State of California (see Exhibit F). The other bond shall guaranty faithful performance of the said contract by the Contractor and shall be executed in a sum equal to at least one hundred percent (100%) of the contract price (see Exhibit E). Bonds shall be furnished by a surety company satisfactory to the City of Alameda.

Whenever any surety or sureties on any such bonds, or any bonds required by law for the protection of the claims of laborers and materials, become insufficient or the City PW Supervisor has cause to believe that such surety or sureties have become insufficient, a demand in writing may be made of the Contractor for further bond or bonds or additional surety not exceeding that originally required, as is considered necessary, taking into account the extent of the work remaining to be done. Thereafter no payment shall be made upon such contract to the Contractor, or any assignee of the Contractor, until such further bond or bonds or additional surety has been furnished. Faithful performance bonds, whether by individual or corporate surety, shall in addition to other terms and conditions, contain the conditions that (1) death of the named principal shall not operate as a release of the obligation hereunder of the surety, and (2)

extensions of time, if any, granted by the City to Contractor for performance of the work covered by said bond shall extend for a like time the period of limitations during which surety shall remain bound by the said undertaking.

SECTION II. LEGAL RELATIONS AND RESPONSIBILITIES

A. LAWS TO BE OBSERVED. The Contractor shall keep himself fully informed of all existing and future state and federal laws and all municipal ordinances and regulations of the City of Alameda which in any manner affect those engaged or employed in the work, or the materials used in the work, or which in any way affect the conduct of the work, and of all such orders and decrees of bodies or tribunals having any jurisdiction or authority over the same.

B. PREVAILING WAGES:

1. The Contractor is aware of the requirements of California Labor Code sections 1720 et seq. and 1770 et seq., as well as California Code of Regulations, Title 8, section 16000 et seq. ("Prevailing Wage Laws"), which require the payment of prevailing wage rates and the performance of other requirements on certain "public works" projects. Since this Project involves a "public work" project, as defined by the Prevailing Wage Laws, Contractor shall fully comply with such Prevailing Wage Laws. Contractor's failure to comply with the Prevailing Wage Law may constitute a default under the contract for performance of the Work which would entitle the City to rescind the contract or exercise other remedies as provided by law or the contract.

2. The Contractor shall obtain a copy of the prevailing rates of per diem wages at the commencement of this Contract from the website of the Division of Labor Statistics and Research of the Department of Industrial Relations located at www.dir.ca.gov/dlsr/. In the alternative, the Contractor may view a copy of the prevailing rates of per diem wages at the City's Public Works Department, Building 1, 950 W. Mall Square, Room 110, Alameda. The Contractor shall make copies of the prevailing rates of per diem wages for each craft, classification or type of worker needed to perform work on the Project available to interested parties upon request, and shall post copies at the Contractor's principal place of business and at the Project site. The Contractor shall defend, indemnify and hold the City, its elected officials, officers, employees and agents free and harmless from any claims, liabilities, costs, penalties or interest arising out of any failure or allege failure to comply with the Prevailing Wage Laws and/or the City's Labor Compliance Program (hereinafter referred to as "LCP"), if any.

3. If this project is funded in whole or in part with Federal monies and subject to the provisions of the Davis-Bacon Act, the successful bidder shall pay not less than the wage rates determined by the Secretary of Labor. The Federal wage rates shall apply unless the State wage rates are higher. The Federal Wage Rates applicable to the contract are those current within ten (10) days of the bid due date.

4. The Contractor and all subcontractors shall pay and shall cause to be paid each worker engaged in work on the Project not less than the general prevailing rate of *per diem* wages determined by the Director, regardless of any contractual relationship which may be alleged to exist between the Contractor or any Subcontractor and such workers.

5. The Contractor and all subcontractors shall pay and shall cause to be paid to each worker needed to execute the work on the Project travel and subsistence payments, as such travel and subsistence payments are defined in the applicable collective bargaining Contracts filed with the Department of Industrial Relations in accordance with Labor Code § 1773.8.

6. If during the period any bid for work on this Project remains open, the Director of Industrial Relations determines that there has been a change in any prevailing rate of *per diem* wages in the locality in which this public work is to be performed, such change shall not alter the wage rates in the Notice calling for Bids or the contract subsequently awarded.

7. Pursuant to Labor Code § 1775, the Contractor shall as a penalty to the City, forfeit Fifty Dollars (\$50.00) for each calendar day, or portion thereof, for each worker paid less than the prevailing rate of *per diem* wages, determined by the Director, for such craft or classification in which such worker is employed for any public work done under the Contract by the Contractor or by any Subcontractor under it. The amount of the penalty shall be determined by the Labor Commission. In addition, the difference between such prevailing rate of *per diem* wage and the amount paid to each worker for each calendar day or portion thereof for which each worker was paid less than the prevailing rate of *per diem* wage shall be paid to each work by the Contractor.

8. Any worker employed to perform work on the Project, which work is not covered by any craft or classification listed in the general prevailing rate of *per diem* wages determined by the Director, shall be paid not less than the minimum rate of wages specified therein for the craft or classification which most nearly corresponds to the work on the Project to be performed by them, and such minimum wage rate shall be retroactive to time of initial employment of such person in such craft or classification.

9. For those crafts or job classifications requiring special prevailing wage determinations, please contact the Division of Labor Statistics and Research, Prevailing Wage Unit, P.O. Box 420603, San Francisco, CA 94142-0603, (415) 703-4774 or check out the web site at www.dir.ca.gov.

C. HOURS OF LABOR.

1. As provided in Article 3 (commencing at § 1810), Chapter 1, Part 7, Division 2 of the Labor Code, eight (8) hours of labor shall constitute a legal day's work. The time of service of any worker employed at any time by the Contractor or by any Subcontractor on any subcontract under this Contract, upon the work or upon any part of the work contemplated by this Contract, is limited and restricted to eight (8) hours during any one calendar day and forty (40) hours during any one calendar week, except as hereinafter provided. Notwithstanding the provision hereinabove set forth, work performed by employees of Contractor in excess of eight (8) hours per day and forty (40) hours during any one week shall be permitted upon this public work provided that the employees' compensation for all hours worked in excess of eight (8) hours per day at not less than one and one-half (1-1/2) times the basic rate of pay.

2. The Contractor shall pay to the City a penalty of Twenty-five Dollars (\$25.00) for each worker employed in the execution of this Contract by the Contractor, or by any Subcontractor, for each calendar day during which such worker is required or permitted to work more than eight (8) hours in any calendar day and forty (40) hours in any one (1) calendar week, in violation of the provisions of Article 3 (commencing at § 1810), Chapter 1, Part 7, Division 2 of the Labor Code, unless compensation for the workers so employed by Contractor is not less than one and one-half (1-1/2) times the basic rate of pay for all hours worked in excess of eight (8) hours per day.

3. Holiday and overtime work, when permitted by law, shall be paid for at a rate of at least one and one-half (1½) times the above specified rate of *per diem* wages, unless otherwise specified. Holidays shall be defined in the Collective Bargaining Contract applicable to each particular craft, classification, or type of worker employed.

D. CERTIFIED PAYROLL.

1. Contractor's attention is directed to California Labor Code Section 1776, which requires Contractor and any subcontractors to keep an accurate payroll record and which imposes inspection requirements and penalties for non-compliance. Certified payrolls shall be prepared and submitted weekly to the Labor Compliance Officer, Gail Carlson, Public Works Department, 950 W. Mall Square, Room 110, Alameda, CA 94501 by the Contractor and each subcontractor. Contractor is responsible for the submission of copies of payrolls by all subcontractors. Each payroll submitted shall be accompanied by a "Statement of Compliance", signed by the Contractor or subcontractor or his/her agent who pays or supervises the payment of the persons employed under the contract, and shall certify the following:

a. That the payroll for each payroll period contains the name, social security number, and address of each employee, his or her correct classification, including applicable area and group code, hourly rates of wages paid, daily and weekly number of hours worked, deductions made and actual wages paid, and that such information is correct and complete;

b. That such laborer or mechanic (including each helper, apprentice and trainee) employed on the contract during the payroll period has been paid the full weekly wages earned, without rebate, either directly or indirectly, and that no deductions have been made either directly or indirectly from the full wages earned, other than permissible deductions; and

c. That each laborer or mechanic has been paid not less than the applicable wage rates and fringe benefits or cash equivalents for the classification of work performed, as specified in the applicable wage determination incorporated into the contract.

2. If the Contractor or a subcontractor does not work during the payroll period, a Statement of Non-Working Days must be submitted for each day not worked.

3. In the event of noncompliance with the requirements of such section after 10 Days written notice specifying in what respects compliance is required, the CONTRACTOR shall forfeit as a penalty to the CITY, \$25.00 for each calendar Day, or portion thereof, for each worker, until strict compliance is effectuated. Upon the request of the Division of Apprenticeship Standards or the Division of Labor Standards Enforcement, such penalties shall be withheld from progress payments then due.

E. APPRENTICES.

1. Attention is directed to the provisions in sections 1777.5 and 1777.6 of the Labor Code concerning the employment of apprentices by the Contractor or any subcontractor under him on contracts greater than \$30,000 or 20 working days. The Contractor and any subcontractor under him shall comply with the requirements of Sections 1777.5 and 1777.6 in the employment of apprentices.

2. Section 1777.5 requires the Contractor or subcontractor employing workers in any apprenticeable occupation to apply to the joint apprenticeship committee nearest the site of the public works project, and which administers the apprenticeship program in that trade, for a certificate of approval, if they have not previously applied and are covered by the local apprenticeship standards.

3. The Contractor is required to make contributions to funds established for the administration of apprenticeship programs if: (1) the Contractor employs registered apprentices or journeymen in any apprenticeable trade on such contracts and if other contractors on the public works site are making such contributions; or (2) if the Contractor is not a signatory to an apprenticeship fund and if the funds administrator is unable to accept Contractor' required contribution. The Contractor or subcontractor shall pay a like amount to the California Apprenticeship Council.

4. Information relative to apprenticeship standards, wage schedules, and other requirements may be obtained from the Director of Industrial Relations, ex-officio the Administrator of Apprenticeship, San Francisco, California, or from the Division of Apprenticeship Standards and its branch offices.

F. LABOR DISCRIMINATION. No discrimination shall be made in the employment of persons upon public works because of the race, color, sex, religion, age, national origin, sexual orientation, or physical disability of such persons and every Contractor for public works violating this section is subject to all the penalties imposed for a violation of the provisions of the Labor Code, and, in particular, Section 1735.

G. REGISTRATION OF CONTRACTORS. Before submitting bids, contractors shall be licensed in accordance with the provisions of Chapter 9, Division 3, of the Business and Professional Code of the State of California.

H. PERMITS AND LICENSES. The Contractor shall procure all permits and licenses, including City of Alameda business licenses, pay all charges and fees, and give all notices necessary and incidental to the due and lawful prosecution of the work. However, the contractor will be reimbursed for construction permit fees. The estimated cost shown as an allowance in the bid proposal is only for bidding purposes. Payment shall be made for the actual cost of the permit. The cost for a City of Alameda business license is not reimbursable. Each Subcontractor shall have a current City of Alameda business license.

The following permit(s) and/or license(s) are required for this project:

1. **A City of Alameda Business License from the City of Alameda, 2263 Santa Clara Avenue, Finance Department, Room 220, Alameda.**

I. PATENTS. The Contractor shall assume all costs arising from the use of patented materials, equipment, devices or processes used on or incorporated in the work, and agrees to indemnify and hold harmless the City of Alameda, its officers, employees and agents from all suits at law or actions of any nature, damages, royalties and costs on account of the use of any patented materials, equipment, devices or processes.

J. RESPONSIBILITY FOR DAMAGES. The City of Alameda, its officers, employees and agents shall not be answerable or accountable in any manner for any loss or damage to the work or any part thereof, nor to any material or equipment used in performing the work, nor for injury or damage to any person or persons, either workers or the public, nor for damage to adjoining property from any cause whatsoever during the progress of the work nor at any time before final acceptance.

K. CONTRACTOR'S RESPONSIBILITY FOR THE WORK. Except as provided above, until formal acceptance of the work by the City, the Contractor shall have the charge and care thereof and shall bear the risk of injury or damage to any part thereof by the action of the elements or from any other cause, whether arising from the execution or from the non-execution of the work. The Contractor shall rebuild, repair, restore and make good all injuries or damages to any portion of the work occasioned by any of the above causes before final acceptance and shall bear the expense thereof, except such injuries or damages occasioned by acts of the Federal Government or the public enemy. The Contractor will not be responsible for the cost of repairing or restoring damage to the work, which damage is determined to have been proximately caused by an act of God, in excess of 5% of the contracted amount.

L. SAFETY PROVISIONS. The Contractor shall conform to the rules and regulations pertaining to safety established by the California Division of Occupational Safety and Health of the Industrial Relations Department (CAL-OSHA).

M. NO PERSONAL LIABILITY. Neither the City Council, City Manager, the City PW Supervisor, nor any other City officer, authorized assistant or agent shall be personally responsible for any liability arising under this contract.

N. RESPONSIBILITY OF CITY. The City of Alameda shall not be held responsible for the care or protection of any material or parts of the work prior to final acceptance, except as expressly provided in these specifications.

O. PUBLIC CONVENIENCE AND SAFETY. The Contractor shall so conduct operations as to cause the least possible obstruction and inconvenience to public traffic. The Contractor shall furnish, erect and maintain such fences, barriers, lights and signs as are necessary or as required by the PW Supervisor to give adequate warning to the public at all times that the work is in progress and of any dangerous conditions to be encountered as a result of the work or of the presence of the Contractor's equipment or machinery.

P. NOTICES TO CONTRACTOR. Any notice required to be given to the Contractor by the City of Alameda or by the City PW Supervisor or by any officer of said City may be given to said Contractor at the address shown in the Contractor's proposal. Such notice may be given by mailing a copy of said notice to the Contractor to such address by United States certified mail. Evidence of such mailing shall be deemed the equivalent of personal services of said notice.

Q. UTILITIES. The location of railroad tracks, utility facilities and other structures shall be the responsibility of the Contractor. The Contractor shall contact the owners of those tracks, facilities and structures for any information that may be required. The Contractor shall contact Underground Services Alert (USA) at 800-642-2444 forty-eight (48) hours prior to commencement of work.

Where existing sewers and storm drains cross or interfere in any way with construction under this contract, they shall be left in place and the Contractor shall work around them, or where feasible and practical, the Contractor may, with the permission of the City PW Supervisor, remove and replace them at his/her own expense. Precautions shall be exercised to provide bearing under existing sewer lines so encountered to preclude settlement during or after the term of the contract. In the event that some of these sewers are abandoned, they may, with the permission of the City PW Supervisor, be removed and not replaced. The Contractor shall provide submittals for the PW Supervisor's review and approval for supporting utilities.

The owners of pipes, wires, conduits, vaults and other utilities (other than sewers) located in the City streets which could conflict with the proposed work will be notified by the City PW Supervisor to remove or adjust the same, without cost to the Contractor, to such extent as will allow the prosecution of the work described herein according to the necessities thereof and in accordance with these specifications. Wherever and whenever the Contractor anticipates working in an area from which utilities must be removed at the expense of others, he/she shall notify the City PW Supervisor sufficiently in advance (a minimum of ten (10) working days) to permit the owners thereof to rearrange or abandon such utilities, and he/she shall cooperate with the owners thereof in the performance of the work under this contract.

The work will be so prosecuted that a minimum of damage will result to utility services. In the event that utility services are damaged or interrupted, the Contractor shall immediately, at his/her own expense, restore such services in a manner satisfactory to the PW Supervisor. In the event that an interruption of utility services is sustained for a period of longer than one-half hour, it shall be the responsibility of the Contractor to notify the occupants of the premises to which said services are connected, so that no damage will accrue on or to said premises.

The Contractor shall perform all work in such manner as to prevent damage to utilities lying outside of or below a required excavation of trench area.

R. SOUND CONTROL REQUIREMENTS. Sound control shall conform to Section 4-10 of the Alameda Municipal Code, which prohibits weekday construction activities between 7:00 pm and 7:00 am.

S. CONSTRUCTION SITE CONTROLS. Within five (5) business days of the date the work is to commence pursuant to the NTP the Contractor shall submit an Erosion/Stormwater Pollution Prevention Plan (SWPPP) to the PW Supervisor for review. The SWPPP shall include appropriate erosion and sediment control measures to effectively prevent the entry of soil, dirt, debris and other pollutants to storm water runoff, the storm drain system, lagoons and the bay/estuary during construction. No work in the field under this Contract may begin until the PW Supervisor has approved the Contractor's SWPPP.

Erosion and sediment control plans/sheets shall indicate the specifications and maintenance schedules for the installation and upkeep of the erosion control mechanisms. Specifications shall be provided for the erosion control practices, perimeter protection(s), any silt fencing and fiber rolls to be used, storm drain inlet protections, stabilized construction entrance(s) and exits, site and excavation dewatering activities, vehicle tire wash area(s), vehicle and equipment servicing area(s), and the materials handling and storage area(s). These specifications should meet the same level of erosion and sediment control effectiveness established by practices identified in the San Francisco Bay Regional Water Quality Control Board's Erosion and Sediment Control Field Manual (510-622-2465), the Association of Bay Area Government's Manual of Standards for Erosion and Sediment Control (510-464-7900) and/or the California Stormwater Quality Association's Stormwater Best Management Practice Handbook – Construction (2003) (www.cabmphandbooks.com). Contact City Public Works Department Clean Water Program Specialist Jim Barse (510-747-7930) for additional assistance in obtaining copies of these reference documents.

The Contractor is responsible for ensuring that all of his/her workers and subcontractors are aware of and implement the specific stormwater quality control measures under the approved SWPPP. The Contractor(s) shall avoid creating excess dust when breaking asphalt/concrete and during excavation and grading. If water is to be used as a measure for dust control, use as little as possible. All wash water shall be kept out of streets, gutters and storm drains. Controls shall be implemented before construction begins and maintained until the end of construction at which time they shall be removed.

Failure to comply with the following approved construction Best Management Practices ("BMPs") shall result in the issuance of correction notices, citations and/or a project stop order:

1. Gather all construction debris on a regular basis and place it in a dumpster or other container which is emptied or removed on a weekly basis. When appropriate, use tarps on the ground to collect fallen debris or splatters that could contribute to stormwater pollution. After breaking old pavement, remove all pieces to avoid contact with rainfall or runoff.
2. Remove on-site piles from the site on a regular basis. Only temporary storage is allowed. All temporary soil or other stockpiles on site shall be securely covered with a tarp, plastic sheeting or similar material.
3. Remove all dirt/mud, gravel, rubbish, refuse and green waste from the sidewalk, street pavement, and storm drain system adjoining the project site daily and prior to rain. Clean up leaks, drips and spills immediately. Avoid unnecessary driving on unpaved areas during wet weather.

4. Install and maintain stabilized construction entrances to minimize the tracking of dirt, mud, dust and debris onto the public right-of-way.
5. Broom-sweep the sidewalk and public street pavement adjoining the project site daily and prior to rain. Caked-on mud or dirt shall be scraped from these areas before sweeping. At the completion of work the street shall be washed and the wash water collected and disposed offsite.
6. Install filter materials (such as block and gravel bags, sandbags, filter fabric) at the storm drain inlets surrounding the project site. Such inlet protections shall be installed before: the start of the rainy season (October 1st), site de-watering activities, saw-cutting activities, or any other activity that may result in the discharge of material to the storm drain. Filter materials shall be maintained and/or replaced as necessary to minimize short-cutting and to remove sediment deposits and buildup. Accumulated sediment/debris shall be disposed of properly.
7. Vacuum saw-cutting slurry and remove from site. Do not allow saw-cut slurry to enter the storm water conveyance system.
8. Create a contained and covered area on the site for the storage of cement bags, paints, flammables, oils, fertilizers, pesticides, or any other materials used on the project site that have the potential for being discharged to the storm drain system by wind, exposure to rainfall or in the event of a material spill.
9. Never clean machinery, tools, brushes, etc. or rinse containers into a street, gutter, storm drain or stream. See the *Building Maintenance and Remodeling* BMP flyer and ACCWP BMP brochures for more information. Contact the Public Works Department at 747-7930 for assistance with obtaining these documents.
10. Ensure that concrete/gunite supply trucks or concrete/plaster finishing operations do not discharge wash water into street gutters or drains. Concrete trucks shall have a self-contained washout system or discharge to a dedicated, secure site washout in order to avoid the possibility of debris on city streets or discharge of wash water to the storm water conveyance system.
11. Minimize removal of natural vegetation or ground cover from the site in order to minimize the potential for erosion and sedimentation problems. Re-plant the area, and stabilize all cut and fill slopes as soon as possible after grading is completed. At a minimum, 4,000 pounds/acre of straw with tackifier should be placed on all exposed soils including those within active work areas and flat lots. **No site grading shall occur between October 1 and May 31 unless approved erosion and sedimentation control measures are in place.**
12. Provide erosion “prevention” and perimeter protection measures (soil stabilization) such as fiber rolls, silt fence, and/or sediment traps or basins. Ensure control measures are adequately maintained and in operable condition. Sediment controls, including inlet protection, are necessary but should be a secondary defense behind good erosion control and site perimeter measures.
13. Design site de-watering operations to prevent the discharge of any sediment, debris or other pollutants to the municipal storm water conveyance system.

14. Maintain and if necessary, repair, all erosion prevention and sediment control measures throughout the contract term. Replacement supplies should be kept on site. Site inspections shall be conducted before and after each storm event, and every 24 hours for extended storm events, to identify areas that contribute to erosion and sediment problems or any other pollutant discharges. If additional measures are needed, inform the PW Supervisor immediately and document all inspection findings and actions taken.

15. Conduct visual observations before, during, and after storm events. Any breach, malfunction, leakage, or spill observed that could result in the discharge of pollutants to surface waters that might not be visually detectable in stormwater shall trigger the collection of a sample of discharge. The following procedures shall be followed during sampling:

Sampling Procedures:

- For all construction activity, identify a sampling and analysis strategy and sampling schedule for potential discharges discovered through visual monitoring.
- Any breach, malfunction, leakage, or spill observed during visual monitoring which could result in the discharge of pollutants to surface waters that would not be visually detectable in stormwater shall trigger the collection of a sample of discharge.
- Samples shall be collected at all discharge locations which drain the areas identified by the visual observations and which can be safely accessed.
- Personnel trained in water quality sampling procedures shall collect stormwater samples.
- An uncontaminated sample shall be collected for comparison with the discharge sample.
- Sampling shall be conducted during the first two hours of discharge from rain events that occur during daylight hours and which generate runoff.
- The uncontaminated sample shall be compared to the samples of discharge using field analysis or through laboratory analysis. Analyses may include, but are not limited to indicator parameters such as: pH, specific conductance, dissolved oxygen, conductivity, salinity, and TDS
- All field and/or analytical data shall be kept in the SWPPP document, which is to remain at the construction site at all times.

16. Contact the City of Alameda Public Works Department at 510-747-7930 in the event of any slope failure, sediment pond overflow, or any other malfunction resulting in sediment-laden runoff. The City shall, in turn, report such incidents to the Regional Water Quality Control Board.

17. Clearly mark with the words, “No Dumping! Drains to Bay” or the equivalent, using methods approved by the City of Alameda, onto the on-site storm drain inlets. All on-site storm drains must be inspected and, if necessary, cleaned, at least once a year immediately prior to the rainy season. Additional cleaning may be required by the City of Alameda.

18. Require all concrete trucks used in the performance of the work to have a self-contained washout system, rather than do washout on the site. The idea is to avoid:

- a. An undesirable pile of concrete on the jobsite, and
- b. The possibility of debris on city streets.

The objective of these Standard Conditions is to ensure that the City's municipal storm water Permit, the National Pollutant Discharge Elimination System (NPDES) Permit provisions and additional Regional Water Quality Control Board requirements are adequately enforced.

These recommendations are intended to be used in conjunction with the State's Best Management Practices Municipal and Construction Handbooks, local program guidance materials from municipalities, Section 7.1.01, of the Standard Specifications and any other appropriate documents on storm water quality controls for construction. If you need assistance in checking these documents, contact Clean Water Program Specialist at 510-747-7930.

Failure to comply with the above program will result in issuance of noncompliance notices, citations, project stop orders or fines. The fine for noncompliance of the above program is two hundred and fifty dollars (\$250.00) per occurrence per day. The State under the Federal Clean Water Act can also impose a fine on the Contractor.

T. ASBESTOS AND LEAD BASED PAINTS. Reports of a survey of possible asbestos and lead based paints, in the path of construction, was prepared by ACC Environmental.

U. CLEAN AIR ACT OF 1970, ET SEQ. AND FEDERAL WATER POLLUTION CONTROL ACT AS AMENDED BY THE CLEAN WATER ACT OF 1977. The Contractor agrees to comply with federal clean air and water standards during the performance of this contract and specifically agrees to the following:

- The term "facility" means any building, plant, installation, structure, mine, vessel or other floating craft, location or site of operations owned, leased, or supervised by the Contractor and the subcontractors for the construction, supply and service contracts entered into by the Contractor;
- Any facility to be utilized in the accomplishment of this contract is not listed on the Environmental Protection Agency's List of Violating Facilities pursuant to 40 CFR, Part 15.20;
- In the event a facility utilized in the accomplishment of this contract becomes listed on the EPA list, this contract may be canceled, terminated, or suspended in whole or in part;
- It will comply with all the requirements of Section 114 of the Clean Air Act and Section 308 of the Water Pollution Control Act relating to inspection, monitoring, entry, reports, and information, as well as all other requirements specified in Section 114 and Section 308, respectively, and all regulations and guidelines issued thereunder;
- It will promptly notify the Government of the receipt of any notice from the Director, Office of Federal Activities, Environmental Protection Agency, indicating that any facility utilized or to be utilized in the accomplishment of this contract is under consideration for listing on the EPA List of Violating Facilities;
- It will include the provisions of Paragraph a. through g. in every subcontract or purchase order entered into for the purpose of accomplishing this contract, unless otherwise exempted pursuant to the EPA regulations implementing the Air or Water Acts above (40 CFR, Part 15.5), so that such provisions will be binding on each subcontractor or vendor;

In the event that the Contractor or the subcontractor for the construction, supply and service contracts entered into for the purpose of accomplishing this contract were exempted from complying with the above requirements under the provisions of 40 CFR, Part 15.5 (a), the exemption shall be nullified should the facility give rise to a criminal conviction (see 40 CFR 15.20) during the accomplishment of this contract. Furthermore, with the nullification of the exemption, the above requirements shall be effective. The Contractor shall notify the Government, as soon as the Contractor's or the subcontractors' facility is listed for having given rise to a criminal conviction noted in 40 CFR, Part 15.20.

SECTION III. SCOPE OF WORK

A. WORK TO BE DONE. The work to be done consists of furnishing all labor, tools, equipment, mobilization, materials, implementing Best Management Practices (BMP's), except as herein specified, and doing all work associated with removal and installation of three new, City supplied, HVAC Trane roof units as per the specification and plans.

The Notice to Proceed for this project is tentatively scheduled to be issued mid-April 2014.

The Contractor shall provide a SWPPP and project schedule for review at the time of the preconstruction meeting. Contractor shall not commence work in the field until the PW Supervisor has approved the SWPPP and project schedule.

The Contractor shall have 56 consecutive working days from the date the work is to commence pursuant to the Notice to Proceed to complete the work.

The work involves the removal and installation of three new, City supplied HVAC Trane roof units. Contractor shall provide labor and miscellaneous supplies to reconnect gas lines, condensation lines and new duct flex connections, install new fused disconnects, complete full start up and programming as directed and verify proper unit operations. **The work will be done at the City of Alameda Police Department located at 1555 Oak Street, Alameda, CA 94501.** The work shall include but not be limited to disconnecting the existing unit gas supply line, voltage and all other plumbed services such as condensations and hoods, anti-vibration units, coordination with crane and HVAC supplier provided by the City for the mobilization, start up and proper disposal of all waste generated and associated with the project. Contractor shall be responsible for capturing and storage of refrigerant as determined and directed by City representative. Contractor shall properly dispose of spoils and re-establish site to conditions prior to work. Contractor shall implement BMPs during the entire period of the project. Any damages to roofing system will be repaired at the contractor's expense and shall be repaired and finished to like kind and to the satisfaction of the Public Works representative. Measures to keep the police station operating with minimal interferences will be applicable; this requires prior approval from the Police Department Duty Officer and notification to Public Works Supervisor.

Contractor will provide license, labor, materials, services, skills, supervision, and necessary tools and equipment to insure that all work is executed in a professional workmanship manner. Contractor shall have the capability to perform and complete the services in all respects in accordance with the solicitation documents. Contractor hereby warrants that all services shall be performed in a timely and first-class workmanlike manner. Contractor shall keep the property and equipment free and clear at all times of litter and interferences. All materials, preparation and workmanship shall conform to the requirements of Standards for Public Works Construction Inc., UPC Standards latest version and manufacturer specifications. Contractor shall provide the following services within the boundaries of the facility: The work will be done at the Alameda Police Department, 1555 Oak Street, Alameda CA.

Remedial Description - Contractor to verify all field measurements prior to ordering plumbing supplies and verify measurements, as all structural measurements are factor-sized to fit in as detailed in plans. Contractor shall procure all material prior to commencement of work.

Demolition/ Removal/ Replace - Disconnect existing unit from voltage, gas supply and condensation line along with the associate low voltage wiring and secure without damaging. Crane out the old unit, properly rigging to avoid damaging structures and roofing membranes. Crane in new unit and install vibration/stabilizer and prepare seating on existing frame. Shut power to unit and remove/replace disconnect with pre-approved weather proof Square D unit or equivalent. Using BMPs the contractor will provide dust and noise protection to the residents and secure the opening during transition time of installation of new HVAC units, and compatible plumbing line. Contractor will remove debris from work sites daily.

Preparation -. On a daily basis contractor shall fully complete all work begun. Electrolysis abatement measures will include proper pipe dressing as required at all joints and fitting transitions; Connect the utility services and all associate electrical including the low voltage line. Assemble economizers and mounting preparation on units accordingly. Remove and properly dispose of old plumbing, fitting, and spoils. Contractor shall respond to any and all complaints from residents.

Installation - Foam insulate with Epoxy or polyurethane any openings and secure with water tight adhesive around the new HVAC unit. Program and activate units to verify proper operation associated with control and thermostats. Program proper operation within building or central controller if applicable. Clean sites, remove debris, foam, and properly dispose of spoils. All work will be completed during normal business hours, 8:00 a.m. – 5:00 p.m., Monday thru Friday. Any interruptions to service need to have minimal affect to operations; no facilities shall be interrupted without prior authorization by the Police Department Duty Chief and/or Public Works Supervisor.

A/C Unit #1

2 ton unit providing HVAC service to the old jail space at the Alameda Police Department.

A/C Unit #5

7.5 ton unit providing HVAC services to the old jail space at the Alameda Police Department.

A/C Unit #6

3 ton unit providing HVAC services to east office space at the Alameda Police Department.

B. MEASUREMENTS AND PAYMENT. The work to be done shall be included in the service, repairs and updates in the installation unit price and all related services and consist of furnishing all labor, vehicles, tools, equipment, mobilization, materials, parts, components, except as herein specified, and doing all the work associated with HVAC replacement/installation at the Alameda Police Department, 1555 Oak Street in accordance with all specifications.

Contractor shall not work during City holidays. City holidays for 2014 include:

Memorial Day	Monday, May 26, 2014
Independence Day	Friday, July 4, 2014
Labor Day	Monday, September 1, 2014
Veteran's Day	Tuesday, November 11, 2014
Thanksgiving Day	Thursday, November 27, 2014
Day after Thanksgiving Day	Friday, November 28, 2014
Christmas Day	Thursday, December 25, 2014

C. CLEAN UP. Contractor shall leave the work site in an acceptable clean manner at the end of each work day. Upon completion and before making application for acceptance of the work, the Contractor shall clean the street or road, borrow pits, and all ground occupied by the Contractor in connection with the work, of all rubbish, excess materials, temporary structures, and equipment; and all parts of the work shall be left in a neat and presentable condition.

SECTION IV. CONTROL

A. AUTHORITY OF THE PW SUPERVISOR. The PW Supervisor shall decide all questions which may arise as to the quality or acceptability of materials furnished and work performed; the manner of performance and rate of progress of the work; the interpretation of the plans and specifications; the acceptable fulfillment of the contract on the part of Contractor; and all questions as to claims and compensation.

The PW Supervisor's decision shall be final and he/she shall have executive authority to enforce and make effective such decisions and orders that the Contractor fails to carry out promptly.

B. PLANS. All authorized alterations affecting the requirements and information given on the approved plans shall be in writing. No changes shall be made to any plans or drawings after the same have been approved by the PW Supervisor, except by direction of the PW Supervisor.

C. SUPERINTENDENCE. Whenever the Contractor is not present on any part of the work where it may be desired to give directions, orders will be given by the PW Supervisor in writing and shall be received and obeyed by the superintendent or foreman in charge of the particular work in reference to which orders are given.

D. INSPECTION. The PW Supervisor shall at all times have access to the work during construction and shall be furnished with every reasonable facility for ascertaining full knowledge respecting the progress, workmanship, and character of materials used and employed in the work.

The Contractor shall give at least 48 hours notice in writing when he will require inspection on subgrade, formwork, concrete paving, etc. Inspection will routinely be carried out at pre-scheduled time established at the pre-construction meeting. Inspection will only be carried out for substantial quantities of work ready for inspection.

Whenever the Contractor varies the period during which work is carried on each day, he shall give due notice to the PW Supervisor, so that proper inspection may be provided. Any work done in the absence of the PW Supervisor is subject to rejection.

The inspection of the work shall not relieve the Contractor of any of his/her obligations to fulfill the contract as prescribed. Defective work shall be made good and unsuitable materials may be rejected, notwithstanding the fact that such defective work and unsuitable materials have been previously overlooked by the PW Supervisor and accepted or estimated for payment.

Working hours in the field are restricted to 8 AM through 5 PM, Monday through Thursday, excluding City Holidays, and shall constitute “normal working hours.” The Public Works Department Inspectors work on Friday’s and can be reached at 510-747-7900. In some locations, as noted on the Plans, normal working hours may be further restricted to avoid traffic and/or school-related conflicts. Any work in the field performed outside of these hours, including but not limited to construction, clean up, placement of traffic control devices, and mobilization/demobilization, shall be subject to removal and the Contractor fined \$5,000 per incident, unless such work has been previously authorized by the PW Supervisor in writing.

Inspection hours for construction shall be from 8 AM through 4 PM, Monday through Thursday, excluding City Holidays, and shall constitute “normal inspection hours.” The Public Works Department Inspectors work on Friday’s and can be reached at 510-747-7900. Unless prior written authorization has been received from the PW Supervisor, the Contractor shall not perform any work outside of these hours except for general clean up, demobilization, and placement of no-parking signs. The Contractor shall pay the salary and benefits, including overtime, of the City employee(s) for inspection of any work performed outside of the normal inspection hours. Projects financed in whole or in part with state funds shall be subject to inspection at all times by the Director of Public Works of the State of California, or his agents.

E. REMOVAL OF DEFECTIVE AND UNAUTHORIZED WORK. All work which is defective in its construction or deficient in any of the requirements of these specifications shall be remedied, or removed and replaced by the Contractor in an acceptable manner and no compensation will be allowed for such correction.

Any work done beyond the lines and grades shown on the plans or established by the PW Supervisor, or any extra work done without written authority, shall be considered as unauthorized and will not be paid for.

Upon failure on the part of the Contractor to comply forthwith with any order of the PW Supervisor made under the provisions of this article, the PW Supervisor shall have the authority to cause defective work to be remedied, or removed and replaced, and unauthorized work to be removed, and to deduct the cost thereof from any monies due or to become due the Contractor.

The fact that the work and materials have been inspected from time to time, and payments on account have been made, does not relieve the Contractor from the responsibility of replacing and making good any defective work or materials that may be discovered within one year from the date of the completion of the work by the Contractor and its acceptance by the City.

F. FINAL INSPECTION. Whenever the work provided and contemplated by the contract shall have been satisfactorily completed, the PW Supervisor will make the final inspection.

G. FINAL GUARANTEE. It is understood that the Contractor is skilled in the trade or calling necessary to perform the work set forth within the plans and specifications, and that the City of Alameda, not being skilled in such matters, relies upon the Contractor to do and perform all work, acts, and things necessary to carry out the contract in the most skilled and desirable manner, and the Contractor guarantees the workmanship and materials to be the best of their kind. The acceptance of any part or of the whole of the work by the City does not operate to release the Contractor or the Contractor's surety from said guarantee.

The Contractor shall be held responsible for and must make good any defects through faulty, improper or inferior workmanship or materials arising from or discovered in any part of the contract work within one year of the completion and acceptance of the same. The bond for faithful performance, furnished by the Contractor, shall cover such defects and protect the City of Alameda against any and all such defects.

Nothing in this section supersedes contractor obligations for repair and replacement of work pursuant to the Public Contract Code.

SECTION V. MEASUREMENTS AND PAYMENT

A. MEASUREMENTS AND PAYMENT. Payment for work done under the contract shall be made on the basis of the sums as calculated from the finally measured quantities of work done and the agreed unit and lump sum prices. Payment shall be full compensation for furnishing all labor, materials, mobilization, tools and equipment, and doing all the work necessary to construct the items for which payment is being made, complete and in place as shown on the plans and described in the specifications.

Payment of all, or any part, of an estimate in writing may be withheld on account of any of the following:

1. Defective work not remedied;
2. Third-party claims against Contractor or City arising from the acts or omissions of Contractor or subcontractors;
3. Stop Notices;
4. Failure of Contractor to make timely payments due to subcontractors for material or labor;
5. Damage to the City or others for which Contractor is responsible;
6. Failure of Contractor to maintain, update, and submit record documents;
7. Failure of Contractor to submit schedules or their updates as required by the Contract Documents;
8. Performance of the work by Contractor without properly processed shop drawings;
9. Liquidated damages assessed;
10. Any other failure of Contractor to perform its obligations under the Contract Documents.

SECTION VI. QUANTITIES

The following preliminary estimate of the quantities of work to be done and materials to be furnished is approximate only, and the City of Alameda does not expressly or by implication agree that the actual amount of work will correspond therewith, but reserves the right to increase or decrease the amount of any class or portion of the work or to omit portions of the work that may be deemed necessary or expedient to the PW Supervisor.

Quantities shall be determined by the Contractor from plans and specifications, and /or pre-construction meeting and walk - through. The basis of award of contract shall be by the City of Alameda for the lowest and best bid that will best serve the City's need. The contract may be awarded at the discretion of the City or depending on available funding.

The City reserves the right to reject any, any portion, or all bids.

TABULATION OF PRELIMINARY ESTIMATE OF QUANTITIES

Item No.	Description	
1.	1 Lump Sum A/C Unit #1 2 ton unit providing HVAC service to the old jail space at the Alameda Police Department. Remove/ Replace of packing unit including preparation and programming and all associated tasks as per schedule.	
	a. _____	\$ _____
	Remove	
	b. _____	\$ _____
	Replace	
2.	1 Lump Sum A/C Unit #5 7.5 ton unit providing HVAC services to the old jail space at the Alameda Police Department. Remove/ Replace of packing unit including preparation and programming and all associated tasks as per schedule.	
	a. _____	\$ _____
	Remove	
	b. _____	\$ _____
	Replace	

3. 1 Lump Sum A/C Unit #6 3 ton unit providing HVAC services to east office space at the Alameda Police Department. Remove/ Replace of packing unit including preparation and programming and all associated tasks as per schedule.

a. _____ \$ _____
Remove

b. _____ \$ _____
Replace

SECTION VII. CONSTRUCTION DETAILS

The construction details covered under this Section VII shall be Special Provisions.

A. MAINTAINING TRAFFIC. Attention is directed to Section 7-1.08, "Public Convenience", 7-1.09, "Public Safety", of the State of California Standard Specifications, and to Section II, Article O of these specifications.

B. EXTENT OF CONTRACT. The Contractor shall furnish all labor, material has herein specified, tools and equipment necessary and shall do all the work necessary to construct and put in complete order for use the construction project contemplated by these specifications, the various items, and in the approximate quantities tabulated in the Proposal (Exhibit A).

Exhibit 'A'

BIDDER'S PROPOSAL FORM

Bidder's Proposal

Subcontractors to be used in the Performance of this Contract (Form)

Security For Compensation Certificate

Important Instructions

BIDDER'S PROPOSAL

SCOPE OF WORK:

The work to be done consists of furnishing all labor, tools, equipment, mobilization, materials, implementing Best Management Practices (BMP's), except as herein specified, and doing all work associated with removal and installation of three new, City supplied, HVAC Trane roof units as per the specification and plans.

The work involves the removal and installation of three new, City supplied HVAC Trane roof units. Contractor shall provide labor and miscellaneous supplies to reconnect gas lines, condensation lines and new duct flex connections, install new fused disconnects, complete full start up and programming as directed and verify proper unit operations. **The work will be done at the City of Alameda Police Department located at 1555 Oak Street, Alameda, CA 94501.** The work shall include but not be limited to disconnecting the existing unit gas supply line, voltage and all other plumbed services such as condensations and hoods, anti-vibration units, coordination with crane and HVAC supplier provided by the City for the mobilization, start up and proper disposal of all waste generated and associated with the project. Contractor shall be responsible for capturing and storage of refrigerant as determined and directed by City representative. Contractor shall properly dispose of spoils and re-establish site to conditions prior to work. Contractor shall implement BMPs during the entire period of the project. Any damages to roofing system will be repaired at the contractor's expense and shall be repaired and finished to like kind and to the satisfaction of the Public Works representative. Measures to keep the police station operating with minimal interferences will be applicable; this requires prior approval from the Police Department Duty Officer and notification to Public Works Supervisor.

Contractor will provide license, labor, materials, services, skills, supervision, and necessary tools and equipment to insure that all work is executed in a professional workmanship manner. Contractor shall have the capability to perform and complete the services in all respects in accordance with the solicitation documents. Contractor hereby warrants that all services shall be performed in a timely and first-class workmanlike manner. Contractor shall keep the property and equipment free and clear at all times of litter and interferences. All materials, preparation and workmanship shall conform to the requirements of Standards for Public Works Construction Inc., UPC Standards latest version and manufacturer specifications. Contractor shall provide the following services within the boundaries of the facility: The work will be done at the Alameda Police Department, 1555 Oak Street, Alameda CA.

Remedial Description - Contractor to verify all field measurements prior to ordering plumbing supplies and verify measurements, as all structural measurements are factor-sized to fit in as detailed in plans. Contractor shall procure all material prior to commencement of work.

Demolition/ Removal/ Replace - Disconnect existing unit from voltage, gas supply and condensation line along with the associate low voltage wiring and secure without damaging. Crane out the old unit, properly rigging to avoid damaging structures and roofing membranes.

Crane in new unit and install vibration/stabilizer and prepare seating on existing frame. Shut power to unit and remove/replace disconnect with pre-approved weather proof Square D unit or equivalent. Using BMPs the contractor will provide dust and noise protection to the residents and secure the opening during transition time of installation of new HVAC units, and compatible plumbing line. Contractor will remove debris from work sites daily.

Preparation -. On a daily basis contractor shall fully complete all work begun. Electrolysis abatement measures will include proper pipe dressing as required at all joints and fitting transitions; Connect the utility services and all associate electrical including the low voltage line. Assemble economizers and mounting preparation on units accordingly. Remove and properly dispose of old plumbing, fitting, and spoils. Contractor shall respond to any and all complaints from residents.

Installation - Foam insulate with Epoxy or polyurethane any openings and secure with water tight adhesive around the new HVAC unit. Program and activate units to verify proper operation associated with control and thermostats. Program proper operation within building or central controller if applicable. Clean sites, remove debris, foam, and properly dispose of spoils. All work will be completed during normal business hours, 8:00 a.m. – 5:00 p.m., Monday thru Friday. Any interruptions to service need to have minimal affect to operations; no facilities shall be interrupted without prior authorization by the Police Department Duty Chief and/or Public Works Supervisor.

A/C Unit #1

2 ton unit providing HVAC service to the old jail space at the Alameda Police Department.

A/C Unit #5

7.5 ton unit providing HVAC services to the old jail space at the Alameda Police Department.

A/C Unit #6

3 ton unit providing HVAC services to east office space at the Alameda Police Department.

Item No.	Approximate Quantity	Items with Unit Prices Written in Words	Unit Price	Total Price
1.	Lump Sum	A/C Unit #1 2 ton unit providing HVAC service to the old jail space at the Alameda Police Department. Remove/ Replace of packing unit including preparation and programming and all associated tasks as per schedule		
			a. _____	\$ _____
			Remove	
			b. _____	\$ _____
			Replace	

Item No.	Approximate Quantity	Items with Unit Prices Written in Words	Unit Price	Total Price
2.	Lump Sum	A/C Unit #5 7.5 ton unit providing HVAC service to the old jail space at the Alameda Police Department. Remove/ Replace of packing unit including preparation and programming and all associated tasks as per schedule.		
			a. _____ Remove	\$ _____
			b. _____ Replace	\$ _____

3.	Lump Sum	A/C Unit #6 3 ton unit providing HVAC services to the east office space at the Alameda Police Department. Remove/ Replace of packing unit including preparation and programming and all associated tasks as per schedule.		
			a. _____ Remove	\$ _____
			b. _____ Replace	\$ _____

TOTAL BID: \$ _____

The undersigned agrees to execute the contract required in said Specifications, to the satisfaction of the Council of the City of Alameda, with the necessary bonds, if any be required, within ten days, not including Sundays or legal holidays, after receiving notice that the contract has been awarded and is ready for signature; and further agrees that, in case of his default in any of the foregoing provisions, the proceeds of any check which may accompany his bid in lieu of a bid bond shall become the property of the City of Alameda as agreed and liquidated damages.

Firm Name (Please Print) _____

Signature of Person on Behalf of Firm _____

Business Address _____

City, State, Zip _____

Dated: _____

Phone No _____

Name	Title	Address
(Of Officers or Partners)		

Incorporated under the laws of the State of _____

Contractor's License No. _____ Expiration Date: _____

The signature above certifies that the foregoing information given on this document is true and correct under penalty of perjury. (Section 7028.15 California Business and Professionals Code.)

The Bidder shall list the name and address of each subcontractor to whom the Bidder proposes to subcontract portions of the work, as required by the provisions in Section 2-1.054, "Required Listing of Proposed Subcontractors," of the Standard Specifications and Section 2-1.01, "General," for the special provisions.

LIST OF SUBCONTRACTORS

Name and Address	Description of Portion Of Work Subcontracted

(THE BIDDER'S EXECUTION ON THE SIGNATURE PORTION OF THIS PROPOSAL SHALL ALSO CONSTITUTE AN ENDORSEMENT AND EXECUTION OF THOSE CERTIFICATIONS WHICH ARE A PART OF THIS PROPOSAL)

EQUAL EMPLOYMENT OPPORTUNITY CERTIFICATION

The bidder _____, proposed subcontractor _____, hereby certified that he has ____, has not ____, participated in a previous contract or subcontract subject to the equal opportunity clauses, as required by Executive Orders 10925, 11114, or 11246, and that, where required, he has filed with the Joint Reporting Committee, the Director of the Office of Federal Contract Compliance, a Federal Government contracting or administering agency, or the former President's Committee on Equal Employment Opportunity, all report due under the applicable filing requirements.

NOTE: The above certification is required by the Equal Employment Opportunity Regulations of the Secretary of Labor (41 CFR 60-1.7(b)(1)), and must be submitted by bidders and proposed subcontractors only in connection with contracts and subcontracts which are subject to the equal opportunity clause. Contracts and subcontracts which are exempt from the equal opportunity clause are set forth in 41 CFR 60-1.5. (Generally only contracts or subcontracts of \$10,000 or under are exempt.)

Currently, Standard Form 100 (EEO-1) is the only report required by the Executive Orders or their implementing regulations.

Proposed prime contractors and subcontractors who have participated in a previous contract or subcontract subject to the Executive Orders and have not filed the required reports should note that 41 CFR 60-1.7(b)(1) prevents the award of contracts and subcontracts unless such contractor submits a report covering the delinquent period or such other period specified by the Federal Highway Administration or by the Director, Office of Federal Contract Compliance, U.S. Department of Labor.

SECURITY FOR COMPENSATION CERTIFICATE

(Required by Paragraph 1861, California Labor Code)

To:

I am aware of the provisions of Section 3700 of the Labor Code of the State of California which requires every employer to be insured against liability for worker's compensation or to undertake self-insurance in accordance with the provisions of that Code, and I will comply with such provisions before commencing the performance of the work of this contract.

(Signature of Bidder)

Business Address

Exhibit 'B'

CERTIFIED PAYROLL AND PREVAILING WAGES FORMS

Contractor's Certification Concerning Labor Standards and Prevailing Wage Requirements
Subcontractor's Certification Concerning Labor Standards and Prevailing Wage Requirements
Certification of Bidder Regarding Section 3 and Segregated Facilities
Certification of Proposed Subcontractor Regarding Section 3 and Segregated Facilities
Certification of Understanding and Authorization
Certification For Applicable Fringe Benefit Payments
Authorization for Deductions

EXHIBIT B: Certified Payroll Forms

CITY OF ALAMEDA PUBLIC WORKS DEPARTMENT CONTRACTOR'S CERTIFICATION CONCERNING LABOR STANDARDS AND PREVAILING WAGE REQUIREMENTS		
(Appropriate Recipient):	DATE	
c/o	PROJECT NUMBER (if any)	
	PROJECT NAME	
<p>1. The undersigned, having executed a contract with _____ for the construction of the above-identified project acknowledges that:</p> <p>(a) The Labor Standards provisions are included in the aforesaid contract;</p> <p>(b) Correction of any infractions of the aforesaid conditions, including infractions any of his subcontractors and Any lower tier subcontractor, is his responsibility.</p>		
2. He certifies that:		
<p>(a) Neither he nor any firm, partnership or association in which he has substantial interest is designated as an ineligible contractor by the Comptroller General of the United States pursuant to Section 5.6(b) of the Regulations of the Secretary Labor, part 5 (29 CFR, Part 5) or pursuant to Section 3(a) of the Davis-Bacon Act as amended (40 U.S.C. 276u-2(a)).</p> <p>(b) No part of the aforementioned contract has been or will be subcontracted to any subcontractor if such subcontractor or any firm, corporation, partnership or association in which such subcontractor has a substantial interest is designated an ineligible contractor pursuant to any of the aforementioned regulatory or statutory provisions.</p>		
He agrees to obtain and forward to the aforementioned recipient within ten days after the execution of any subcontract, including those executed by his subcontractors and any lower tier subcontractors, a Subcontractor's Certification Concerning Labor Standards at Prevailing Wage Requirements executed by the subcontractors.		
He certified that:		
(a) The legal name and the business address of the undersigned are:		
(b) The undersigned is:		
(1) A SINGLE PROPRIETORSHIP		(3) A CORPORATION ORGANIZED IN THE STATE OF
(2) A PARTNERSHIP		(4) OTHER ORGANIZATION (Describe)
(c) The name, title and address of the owner, partners or officers of the undersigned are:		
NAME	TITLE	ADDRESS

EXHIBIT B: Certified Payroll Forms

(d) The names and address of all other persons, both natural and corporate, having a substantial interest in the undersigned, and the nature of the interest are (if none, so state):		
NAME	TITLE	ADDRESS
(e) The names, address and trade classification of all other building construction contractors in which the undersigned, has a substantial interest are (if none, so state):		
NAME	TITLE	ADDRESS

3. He certifies:
(a) The company's Federal Tax Identification Number is:
(b) The ethnicity of the company's owner(s) is/are:
(c) Is the company a female owned business: _____ Yes _____ No

Date _____

(Contractor)

By _____

(Signature)

WARNING

U.S. Criminal Code, Section 1010, Title 18, U.S. C. Provides in part "Whoever ..makes, passes, utters, or publishes any statement, knowing the same to be false .shall be fined not more than \$5,000 or imprisoned not more than two years or both."

EXHIBIT B: Certified Payroll Forms

CITY OF ALAMEDA PUBLIC WORKS DEPARTMENT SUBCONTRACTOR'S CERTIFICATION CONCERNING LABOR STANDARDS AND PREVAILING WAGE REQUIREMENTS	
(Appropriate Recipient):	DATE
c/o	PROJECT NUMBER (if any)
	PROJECT NAME
<p>1. The undersigned, having executed a contract with _____ for</p> <p>in the amount of \$_____ In the construction of the above-identified project, certifies that:</p> <p>(a) The Labor Standards provisions of the contract for construction are included in the aforesaid contract;</p> <p>(b) Neither he nor any firm, partnership or association in which he has substantial interest is designated as an ineligible contractor by the Comptroller General of the United States pursuant to Section 5.6(b) of the Regulations of the Secretary Labor, part 5 (29 CFR, Part 5) or pursuant to Section 3(a) of the Davis-Bacon Act as amended (40 U.S.C.. 276u-2(a)).</p> <p>(b) No part of the aforementioned contract has been or will be subcontracted to any subcontractor if such subcontractor or any firm, corporation, partnership or association in which such subcontractor has a substantial interest is designated an ineligible contractor pursuant to any of the aforementioned regulatory or statutory provisions.</p>	
<p>2. He agrees to obtain and forward to the aforementioned recipient within ten days after the execution of any subcontract, including those executed by his subcontractors and any lower tier subcontractors, a Subcontractor's Certification Concerning Labor Standards at Prevailing Wage Requirements executed by the subcontractors.</p> <p>(a) The workmen will report for duty on or about _____ (date).</p>	
<p>3. He certifies that:</p> <p>(a) The legal name and the business address of the undersigned are:</p>	
<p>(b) The undersigned is:</p>	
(1) A SINGLE PROPRIETORSHIP	(3) A CORPORATION ORGANIZED IN THE STATE OF
(2) A PARTNERSHIP	(4) OTHER ORGANIZATION (Describe)
<p>(c) The name, title and address of the owner, partners or officers of the undersigned are:</p>	
NAME	ADDRESS

EXHIBIT B: Certified Payroll Forms

(d) The names and address of all other persons, both natural and corporate, having a substantial interest in the undersigned, and the nature of the interest are (if none, so state):		
NAME	TITLE	ADDRESS
(e) The names, address and trade classification of all other building construction contractors in which the undersigned, has a substantial interest are (if none, so state):		
NAME	TITLE	ADDRESS

3. He certifies:
(a) The company's Federal Tax Identification Number is:
(b) The ethnicity of the company's owner(s) is/are:
(c) Is the company a female owned business: _____ Yes _____ No

Date: _____ (Contractor)

By _____ (Signature)

WARNING

U.S. Criminal Code, Section 1010, Title 18, U.S. C. Provides in part "Whoevermakes, passes, utters, or publishes any statement, knowing the same to be falseshall be fined not more than \$5,000 or imprisoned not more than two years or both."

EXHIBIT B: Certified Payroll Forms

**CERTIFICATION OF BIDDER REGARDING SECTION 3
AND SEGREGATED FACILITIES**

Name of Prime Contractor

Project Name and Number

The undersigned hereby certified that:

- (a) Section 3 provisions are included in the Contract.
- (b) A written Section 3 plan was prepared and submitted as part of the bid proceedings (if bid equals or exceeds \$10,000).
- (c) No segregated facilities will be maintained.

Name

Name and Title of Signer (Print or Type)

Signature

Date

EXHIBIT B: Certified Payroll Forms

CERTIFICATION OF PROPOSED SUBCONTRACTOR REGARDING
SECTION 3 AND SEGREGATED FACILITIES

Name of Subcontractor

Project Name and Number

The undersigned hereby certified that:

- (a) Section 3 provisions are included in the Contract.
- (b) A written Section 3 plan was prepared and submitted as part of the bid proceedings (if bid equals or exceeds \$10,000).
- (c) No segregated facilities will be maintained, as required by Title VI of the Civil Right Act of 1964.

Name _____
Name and Title of Signer (Print or Type)

Signature

Date

EXHIBIT B: Certified Payroll Forms

**CERTIFICATION OF UNDERSTANDING
AND AUTHORIZATION**

Project Name: _____

This is to certify that the principals, and the authorized payroll officer, below, have read and understand the Minutes of the Preconstruction Conference and the labor standards clauses pertaining to the subject project.

The following person(s) is designated as the payroll officer for the undersigned and is authorized to sign the Statement of Compliance which will accompany our weekly certified payroll reports for this project:

Designated Payroll Officer (Name)

Designated Payroll Officer (Signature)

Authorized by (Contractor/Subcontractor)

(Signature)

(Title)

(IRS) Employer Identification Number

(Date)

EXHIBIT B: Certified Payroll Forms
CERTIFICATION FOR APPLICABLE FRINGE BENEFIT PAYMENTS

Project Name: _____

Classification/ Fringe Benefits Provided	Name, Address and Telephone Number of Plan/Fund/Program
1. _____ Health and Welfare	_____
_____	_____
_____	_____
_____	_____
_____	_____
2. _____ Health and Welfare	_____
_____	_____
_____	_____
_____	_____
_____	_____
3. _____ Health and Welfare	_____
_____	_____
_____	_____
_____	_____
_____	_____

OR: (Check if applicable)

_____ I certify that I do not make payments to approved fringe benefit plans, funds or programs.

_____	By _____
Contractor/Subcontractor	Signature
_____	_____
Date	Title

EXHIBIT B: Certified Payroll Forms

AUTHORIZATION FOR DEDUCTIONS

The undersigned authorized deductions, as noted, to be made from their wages. It is understood that these deductions: (a) are in the interest of the employee; (b) is not a condition of employment; (c) there is no direct or indirect financial benefit accruing to the employee; and; (d) it is not otherwise forbidden by law.

Employee's Name	Employee's Signature	Date	Deduction
--------------------	-------------------------	------	-----------

_____	_____	_____	_____
_____	_____	_____	_____
_____	_____	_____	_____
_____	_____	_____	_____
_____	_____	_____	_____
_____	_____	_____	_____
_____	_____	_____	_____
_____	_____	_____	_____
_____	_____	_____	_____
_____	_____	_____	_____
_____	_____	_____	_____

Signature of Authorized Representative of Employee

Authorized Representative's Name and Title

Date

Exhibit 'C'

**SAMPLE CONTRACT AGREEMENT/
ADDITIONAL INSURED CERTIFICATE**

Sample of Contract Agreement

Additional Insured Certificates

CONTRACTOR AGREEMENT

THIS AGREEMENT, entered into this ____ day of _____, 2014 by and between CITY OF ALAMEDA, a municipal corporation (hereinafter referred to as "City"), and _____, a (California corporation, partnership, sole proprietor, individual) whose address is _____, hereinafter called the Contractor, in reference to the following:

RECITALS:

A. City is a municipal corporation duly organized and validly existing under the laws of the State of California with the power to carry on its business as it is now being conducted under the statutes of the State of California and the Charter of the City.

B. City and Contractor desire to enter into an agreement for REMOVAL AND INSTALLATION OF THREE NEW, CITY SUPPLIED, HVAC TRANE ROOF UNITS AT ALAMEDA POLICE DEPARTMENT, in accordance with Specifications, Special Provisions, adopted therefor, and on file in the office of the Public Works Department.

NOW, THEREFORE, it is mutually agreed by and between the undersigned parties as follows:

1. **TERM:**

The Contractor shall have _____ (_____) consecutive working days from the date the work is to commence pursuant to the Notice to Proceed to diligently prosecute the work to completion.

2. **SERVICES TO BE PERFORMED:**

Contractor agrees, at its own cost and expense, to furnish all labor, tools, equipment, materials, except as otherwise specified, and to do all work strictly in accordance with Specifications, Special Provisions and Plans, which Specifications, Special Provisions and Plans are hereby referred to and expressly made a part hereof with the same force and effect as if the same were fully incorporated herein.

Contractor shall perform each requested task set forth in the Bidder's Proposal detailed in Exhibit "A", as directed by the City, which is attached hereto and incorporated herein by this reference. The Contractor acknowledges that the work plan included in Exhibit "A" is tentative and does not commit the City to perform all task included therein.

3. **COMPENSATION TO CONTRACTOR:**

Contractor shall be compensated for services performed pursuant to this Agreement in the amount and manner set forth in Contractor's bid, which is attached hereto as Exhibit "A" and incorporated herein by this reference. Payment will be made in the same manner that claims of a like character are paid by the City, with checks drawn on the treasury of said City, to be taken from CIP #91322.

Payment will be made by the City in the following manner: On the first day of each month, Contractor shall submit a written estimate of the total amount of work done the previous month. However, the City reserves the right to adjust budget within and between tasks. Pricing and accounting of charges are to be according to the bid packet pricing, unless mutually agreed to in writing.

Payment shall be made for 95% of the value of the work completed as determined by the City. The City shall retain 5% of the value of the work as partial security for the completion of the work by Contractor. Retained amounts shall be paid to Contractor within sixty days of acceptance by the City of the project. Payment shall not be construed as acceptance of defective work. No interest will be paid to Contractor on retained funds.

Compensation for bid is \$ _____.

Prompt Payment Of Withheld Funds To Subcontractors: The City shall hold retainage from the prime contractor and shall make prompt and regular incremental acceptances of portions, as determined by the agency of the contract work and pay retainage to the prime contractor based on these acceptances. The prime contractor or subcontractor shall return all monies withheld in retention from all subcontractors within 10 days after receiving payment for work satisfactorily completed and accepted including incremental acceptances of portions of the contract work by the agency. Any delay or postponement of payment may take place only for good cause and with the agency's prior written approval. Any violation of these provisions shall subject the violating prime contractor to the penalties, sanctions, and other remedies specified in Section 7108.5 of the California Business Professions Code. This requirement shall not be construed to limit or impair any contractual, administrative, or judicial remedies otherwise, available to the prime contractor or subcontractor in the event of a dispute involving late payment, or nonpayment by the contractor, or deficient subcontractor's performance, or noncompliance by a subcontractor. This clause applies to both DBE and non-DBE subcontractors.

4. **TIME IS OF THE ESSENCE:**

Contractor and City agree that time is of the essence regarding the performance of this Agreement.

5. **STANDARD OF CARE:**

Contractor agrees to perform all services hereunder in a manner commensurate with the prevailing standards of like professionals in the San Francisco Bay Area and agrees that all services shall be performed by qualified and experienced personnel who are not employed by the City nor have any contractual relationship with City.

6. **INDEPENDENT PARTIES:**

City and Contractor intend that the relationship between them created by this Agreement is that of employer-independent contractor. The manner and means of conducting the work are under the control of Contractor, except to the extent they are limited by statute, rule or regulation and the express terms of this Agreement. No civil service status or other right of employment will be acquired by virtue of Contractor's services. None of the benefits provided by City to its employees, including but not limited to unemployment insurance, workers' compensation plans, vacation and sick leave are available from City to Contractor, its employees or agents. Deductions shall not be made for any state or federal taxes, FICA payments, PERS payments, or other purposes normally associated with an employer-employee relationship from any fees due Contractor. Payments of the above items, if required, are the responsibility of Contractor.

7. **IMMIGRATION REFORM AND CONTROL ACT (IRCA):**

Contractor assumes any and all responsibility for verifying the identity and employment authorization of all of its employees performing work hereunder, pursuant to all applicable IRCA or other federal, or state rules and regulations. Contractor shall indemnify and hold City harmless from and against any loss, damage, liability, costs or expenses arising from any noncompliance of this provision by Contractor.

8. **NON-DISCRIMINATION:**

Consistent with City's policy that harassment and discrimination are unacceptable employer/employee conduct, Contractor agrees that harassment or discrimination directed toward a job applicant, a City employee, or a citizen by Contractor or Contractor's employee on the basis of race, religious creed, color, national origin, ancestry, handicap, disability, marital status, pregnancy, sex, age, or sexual orientation will not be tolerated. Contractor agrees that any and all violations of this provision shall constitute a material breach of this Agreement.

9. **HOLD HARMLESS:**

Contractor shall indemnify, defend, and hold harmless City, its City Council, boards, commissions, officials, and employees ("Indemnitees") from and against any and all loss, damages, liability, claims, suits, costs and expenses whatsoever, including reasonable attorneys' fees ("Claims"), arising from or in any manner connected to Contractor's negligent act or omission, whether alleged or actual, regarding performance of services or work conducted or performed pursuant to this Agreement. If Claims are filed against Indemnitees which allege negligence on behalf of the Contractor, Contractor shall have no right of reimbursement against Indemnitees for the costs of defense even if negligence is not found on the part of Contractor. However, Contractor shall not be obligated to indemnify Indemnitees from Claims arising from the sole or active negligence or willful misconduct of Indemnitees.

10. **INSURANCE:**

On or before the commencement of the terms of this Agreement, Contractor shall furnish City with certificates showing the type, amount, class of operations covered, effective dates and dates of expiration of insurance coverage in compliance with paragraphs 10A, B, C and D. Such certificates, which do not limit Contractor's indemnification, shall also contain substantially the following statement: "Should any of the above insurance covered by this certificate be canceled or coverage reduced before the expiration date thereof, the insurer affording coverage shall

C. **FAILURE TO SECURE:**

If Contractor at any time during the term hereof should fail to secure or maintain the foregoing insurance, City shall be permitted to obtain such insurance in the Contractor's name or as an agent of the Contractor and shall be compensated by the Contractor for the costs of the insurance premiums at the maximum rate permitted by law and computed from the date written notice is received that the premiums have not been paid.

D. **ADDITIONAL INSURED:**

City, its City Council, boards and commissions, officers, and employees shall be named as an additional insured under all insurance coverages, except worker's compensation insurance. The naming of an additional insured shall not affect any recovery to which such additional insured would be entitled under this policy if not named as such additional insured. An additional insured named herein shall not be held liable for any premium, deductible portion of any loss, or expense of any nature on this policy or any extension thereof. Any other insurance held by an additional insured shall not be required to contribute anything toward any loss or expense covered by the insurance provided by this policy.

E. **SUFFICIENCY OF INSURANCE:**

Contractor shall furnish the following bonds from a bonding company acceptable to the City Attorney. Faithful Performance Bond and Labor and Material Bond are only required for work over \$25,000. Therefore, those estimates that are under \$25,000 will not need to budget for the bond premiums and those estimates over \$25,000 will need to be sure to budget for the bond premiums.

The insurance limits required by City are not represented as being sufficient to protect Contractor. Contractor is advised to consult Contractor's insurance broker to determine adequate coverage for Contractor.

11. **BONDS:**

Contractor shall furnish the following bonds from a bonding company acceptable to the City Attorney:

A. **Faithful Performance:**

A bond in the amount of 100% of the total contract price guaranteeing the faithful performance of this contract, and

B. **Labor and Materials:**

A bond for labor and materials in the amount of 100% of the total contract price.

12. **PROHIBITION AGAINST TRANSFERS:**

Contractor shall not assign, sublease, hypothecate, or transfer this Agreement, or any interest therein, directly or indirectly, by operation of law or otherwise, without prior written consent of City. Any attempt to do so without said consent shall be null and void, and any assignee, sublessee, hypothecate or transferee shall acquire no right or interest by reason of such attempted assignment, hypothecation or transfer. However, claims for money by Contractor from City under this Agreement may be assigned to a bank, trust company or other financial institution without prior written consent. Written notice of such assignment shall be promptly furnished to City by Contractor.

The sale, assignment, transfer or other disposition of any of the issued and outstanding capital stock of Contractor, or of the interest of any general partner or joint venturer or syndicate member or cotenant, if Contractor is a partnership or joint venture or syndicate or cotenancy, which shall result in changing the control of Contractor, shall be construed as an assignment of this Agreement. Control means fifty percent (50%) or more of the voting power of the corporation.

13. **SUBCONTRACTOR APPROVAL:**

Unless prior written consent from City is obtained, only those people and subcontractors whose names are listed in Contractor's bid shall be used in the performance of this Agreement.

Requests for additional subcontracting shall be submitted in writing, describing the scope of work to be subcontracted and the name of the proposed subcontractor. Such request shall set forth the total price or hourly rates used in preparing estimated costs for the subcontractor's services. Approval of the subcontractor may, at the option of City, be issued in the form of a Work Order.

In the event that Contractor employs subcontractors, such subcontractors shall be required to furnish proof of workers' compensation insurance and shall also be required to carry general and automobile liability insurance in reasonable conformity to the insurance carried by Contractor. In addition, any work or services subcontracted hereunder shall be subject to each provision of this Agreement.

14. **PERMITS AND LICENSES:**

Contractor, at its sole expense, shall obtain and maintain during the term of this Agreement, all appropriate permits, certificates and licenses, including a City Business License, that may be required in connection with the performance of services hereunder.

15. **REPORTS:**

Each and every report, draft, work product, map, record and other document reproduced, prepared or caused to be prepared by Contractor pursuant to or in connection with this Agreement shall be the exclusive property of City.

No report, information nor other data given to or prepared or assembled by Contractor pursuant to this Agreement shall be made available to any individual or organization by Contractor without prior approval by City.

Contractor shall, at such time and in such form as City may require, furnish reports concerning the status of services required under this Agreement.

16. **RECORDS:**

Contractor shall maintain complete and accurate records with respect to sales, costs, expenses, receipts and other such information required by City that relate to the performance of services under this Agreement.

Contractor shall maintain adequate records of services provided in sufficient detail to permit an evaluation of services. All such records shall be maintained in accordance with generally accepted accounting principles and shall be clearly identified and readily accessible. Contractor shall provide free access to such books and records to the representatives of City or its designees at all proper times, and gives City the right to examine and audit same, and to make transcripts therefrom as necessary, and to allow inspection of all work, data, documents, proceedings and activities related to this Agreement. Such records, together with supporting documents, shall be kept separate from other documents and records and shall be maintained for a period of three (3) years after receipt of final payment.

If supplemental examination or audit of the records is necessary due to concerns raised by City's preliminary examination or audit of records, and the City's supplemental examination or audit of the records discloses a failure to adhere to appropriate internal financial controls, or other breach of contract or failure to act in good faith, then Contractor shall reimburse City for all reasonable costs and expenses associated with the supplemental examination or audit.

17. **NOTICES:**

All notices, demands, requests or approvals to be given under this Agreement shall be given in writing and conclusively shall be deemed served when delivered personally or on the second business day after the deposit thereof in the United States Mail, postage prepaid, registered or certified, addressed as hereinafter provided.

All notices, demands, requests, or approvals from Contractor to City shall be addressed to City at:

City of Alameda
Public Works Department
Maintenance Service Center
1616 Fortmann Way
Alameda, CA 94501
Attention: Jesse Barajas, Public Works Superintendent
Ph: (510) 747-7900 / Fax: (510) 521-8762

All notices, demands, requests, or approvals from City to Contractor shall be addressed to Contractor at:

Ph: () / Fax: ()

18. **LAWS TO BE OBSERVED.**

The Contractor shall keep himself fully informed of all existing and future state and federal laws and all municipal ordinances and regulations of the City of Alameda which in any manner affect those engaged or employed in the work, or the materials used in the work, or which in any way affect the conduct of the work, and of all such orders and decrees of bodies or tribunals having any jurisdiction or authority over the same.

19. **PREVAILING WAGES:**

a. The Contractor is aware of the requirements of California Labor Code sections 1720 et seq. and 1770 et seq., as well as California Code of Regulations, Title 8, section 16000 et seq. ("Prevailing Wage Laws"), which require the payment of prevailing wage rates and the performance of other requirements on certain "public works" projects. Since this Project involves a "public work" project, as defined by the Prevailing Wage Laws, Contractor shall fully comply with such Prevailing Wage Laws. Contractor's failure to comply with the Prevailing Wage Law may constitute a default under the contract for performance of the Work which would entitle the City to rescind the contract or exercise other remedies as provided by law or the contract.

b. The Contractor shall obtain a copy of the prevailing rates of per diem wages at the commencement of this Contract from the website of the Division of Labor Statistics and Research of the Department of Industrial Relations located at www.dir.ca.gov/dlsr/. In the alternative, the Contractor may view a copy of the prevailing rates of per diem wages at the City's Public Works Department, Building 1, 950 W. Mall Square, Room 110, Alameda. The Contractor shall make copies of the prevailing rates of per diem wages for each craft, classification or type of worker needed to perform work on the Project available to interested parties upon request, and shall post copies at the Contractor's principal place of business and at the Project site. The Contractor shall defend, indemnify and hold the City, its elected officials, officers, employees and agents free and harmless from any claims, liabilities, costs, penalties or interest arising out of any failure or allege failure to comply with the Prevailing Wage Laws and/or the City's Labor Compliance Program (hereinafter referred to as "LCP"), if any.

c. If this project is funded in whole or in part with Federal monies and subject to the provisions of the Davis-Bacon Act, the successful bidder shall pay not less than the wage rates determined by the Secretary of Labor. The Federal wage rates shall apply unless the State wage rates are higher. The Federal Wage Rates applicable to the contract are those current within ten (10) days of the bid due date.

d. The Contractor and all subcontractors shall pay and shall cause to be paid each worker engaged in work on the Project not less than the general prevailing rate of *per diem* wages determined by the Director, regardless of any contractual relationship which may be alleged to exist between the Contractor or any Subcontractor and such workers.

e. The Contractor and all subcontractors shall pay and shall cause to be paid to each worker needed to execute the work on the Project travel and subsistence payments, as such travel and subsistence payments are defined in the applicable collective bargaining Contracts filed with the Department of Industrial Relations in accordance with Labor Code § 1773.8.

f. If during the period any bid for work on this Project remains open, the Director of Industrial Relations determines that there has been a change in any prevailing rate of *per diem* wages in the locality in which this public work is to be performed, such change shall not alter the wage rates in the Notice calling for Bids or the contract subsequently awarded.

g. Pursuant to Labor Code § 1775, the Contractor shall as a penalty to the City, forfeit Fifty Dollars (\$50.00) for each calendar day, or portion thereof, for each worker paid less than the prevailing rate of *per diem* wages, determined by the Director, for such craft or classification in which such worker is employed for any public work done under the Contract by the Contractor or by any Subcontractor under it. The amount of the penalty shall be determined by the Labor Commission. In addition, the difference between such prevailing rate of *per diem* wage and the amount paid to each worker for each calendar day or portion thereof for which each worker was paid less than the prevailing rate of *per diem* wage shall be paid to each work by the Contractor.

h. Any worker employed to perform work on the Project, which work is not covered by any craft or classification listed in the general prevailing rate of *per diem* wages determined by the Director, shall be paid not less than the minimum rate of wages specified therein for the craft or classification which most nearly corresponds to the work on the Project to be performed by them, and such minimum wage rate shall be retroactive to time of initial employment of such person in such craft or classification.

i. For those crafts or job classifications requiring special prevailing wage determinations, please contact the Division of Labor Statistics and Research, Prevailing Wage Unit, P.O. Box 420603, San Francisco, CA 94142-0603, (415) 703-4774 or check out the web site at www.dir.ca.gov.

20. **HOURS OF LABOR.**

a. As provided in Article 3 (commencing at § 1810), Chapter 1, Part 7, Division 2 of the Labor Code, eight (8) hours of labor shall constitute a legal day's work. The time of service of any worker employed at any time by the Contractor or by any Subcontractor on any subcontract under this Contract, upon the work or upon any part of the work contemplated by this Contract, is limited and restricted to eight (8) hours during any one calendar day and forty (40) hours during any one calendar week, except as hereinafter provided. Notwithstanding the provision hereinabove set forth, work performed by employees of Contractor in excess of eight (8) hours per day and forty (40) hours during any one week shall be permitted upon this public work provided that the employees' compensation for all hours worked in excess of eight (8) hours per day at not less than one and one-half (1-1/2) times the basic rate of pay.

b. The Contractor shall pay to the City a penalty of Twenty-five Dollars (\$25.00) for each worker employed in the execution of this Contract by the Contractor, or by any Subcontractor, for each calendar day during which such worker is required or permitted to work more than eight (8) hours in any calendar day and forty (40) hours in any one (1) calendar week, in violation of the provisions of Article 3 (commencing at § 1810), Chapter 1, Part 7, Division 2 of the Labor Code, unless compensation for the workers so employed by Contractor is not less than one and one-half (1-1/2) times the basic rate of pay for all hours worked in excess of eight (8) hours per day.

c. Holiday and overtime work, when permitted by law, shall be paid for at a rate of at least one and one-half (1½) times the above specified rate of *per diem* wages, unless otherwise specified. Holidays shall be defined in the Collective Bargaining Contract applicable to each particular craft, classification, or type of worker employed.

21. **CERTIFIED PAYROLL.**

a. Contractor's attention is directed to California Labor Code Section 1776, which requires Contractor and any subcontractors to keep an accurate payroll record and which imposes inspection requirements and penalties for non-compliance. Certified payrolls shall be prepared and submitted weekly to the Labor Compliance Officer, Gail Carlson, Public Works Department, 950 W. Mall Square, Room 110, Alameda, CA 94501 by the Contractor and each subcontractor. Contractor is responsible for the submission of copies of payrolls by all subcontractors. Each payroll submitted shall be accompanied by a "Statement of Compliance", signed by the Contractor or subcontractor or his/her agent who pays or supervises the payment of the persons employed under the contract, and shall certify the following:

b. That the payroll for each payroll period contains the name, social security number, and address of each employee, his or her correct classification, including applicable area and group code, hourly rates of wages paid, daily and weekly number of hours worked, deductions made and actual wages paid, and that such information is correct and complete;

c. That such laborer or mechanic (including each helper, apprentice and trainee) employed on the contract during the payroll period has been paid the full weekly wages earned, without rebate, either directly or indirectly, and that no deductions have been made either directly or indirectly from the full wages earned, other than permissible deductions; and

d. That each laborer or mechanic has been paid not less than the applicable wage rates and fringe benefits or cash equivalents for the classification of work performed, as specified in the applicable wage determination incorporated into the contract.

e. If the Contractor or a subcontractor does not work during the payroll period, a Statement of Non-Working Days must be submitted for each day not worked.

f. In the event of noncompliance with the requirements of such section after 10 Days written notice specifying in what respects compliance is required, the CONTRACTOR shall forfeit as a penalty to the CITY, \$25.00 for each calendar Day, or portion thereof, for each worker, until strict compliance is effectuated. Upon the request of the Division of Apprenticeship Standards or the Division of Labor Standards Enforcement, such penalties shall be withheld from progress payments then due.

22. **APPRENTICES.**

a. Attention is directed to the provisions in sections 1777.5 and 1777.6 of the Labor Code concerning the employment of apprentices by the Contractor or any subcontractor under him on contracts greater than \$30,000 or 20 working days. The Contractor and any subcontractor under him shall comply with the requirements of Sections 1777.5 and 1777.6 in the employment of apprentices.

b. Section 1777.5 requires the Contractor or subcontractor employing workers in any apprenticeable occupation to apply to the joint apprenticeship committee nearest the site of the public works project, and which administers the apprenticeship program in that trade, for a certificate of approval, if they have not previously applied and are covered by the local apprenticeship standards.

c. The Contractor is required to make contributions to funds established for the administration of apprenticeship programs if: (1) the Contractor employs registered apprentices or journeymen in any apprenticeable trade on such contracts and if other contractors on the public works site are making such contributions; or (2) if the Contractor is not a signatory to an apprenticeship fund and if the funds administrator is unable to accept Contractor' required

contribution. The Contractor or subcontractor shall pay a like amount to the California Apprenticeship Council.

d. Information relative to apprenticeship standards, wage schedules, and other requirements may be obtained from the Director of Industrial Relations, ex-officio the Administrator of Apprenticeship, San Francisco, California, or from the Division of Apprenticeship Standards and its branch offices.

23. **LABOR DISCRIMINATION.**

No discrimination shall be made in the employment of persons upon public works because of the race, color, sex, religion, age, national origin, sexual orientation, or physical disability of such persons and every Contractor for public works violating this section is subject to all the penalties imposed for a violation of the provisions of the Labor Code, and, in particular, Section 1735.

24. **REGISTRATION OF CONTRACTORS.**

Before submitting bids, contractors shall be licensed in accordance with the provisions of Chapter 9, Division 3, of the Business and Professional Code of the State of California.

25. **URBAN RUNOFF MANAGEMENT:**

The Contractor shall avoid creating excess dust when breaking asphalt or concrete and during excavation and grading. If water is used for dust control, contractor shall use as little as necessary. Contractor shall take all steps necessary to keep wash water out of the streets, gutters and storm drains.

The Contractor shall develop and implement erosion and sediment control to prevent pollution of storm drains. Such control includes but is not limited to:

A. Use storm drain inlet protection devices such as sand bag barriers, filter fabric fences, block and gravel filters. (Block storm drain inlets prior to the start of the rainy season (October 15), in site de-watering activities and saw-cutting activities; shovel or vacuum saw-cut slurry and remove from the site).

B. Cover exposed piles of soil or construction material with plastic sheeting. All construction materials must be stored in containers.

C. Sweep and remove all materials from paved surfaces that drain to streets, gutters and storm drains prior to rain as well as at the end of the each work day. At the completion of the project, the street shall be washed and the wash water shall be collected and disposed of offsite in an appropriate location.

D. After breaking old pavement, Contractor shall remove all debris to avoid contact with rainfall or runoff.

E. Contractor shall maintain a clean work area by removing trash, litter, and debris at the end of each workday. Contractor shall also clean up any leaks, drips, and other spills as they occur.

The objective is to ensure that the City and County of Alameda County-Wide Clean Water Program is adequately enforced. These controls should be implemented prior to the start of construction, up-graded as required, maintained during construction phases to provide adequate protection, and removed at the end of construction.

These recommendations are intended to be used in conjunction with the State's Best Management Practices Municipal and Construction Handbooks, local program guidance materials from municipalities, Section 7.1.01 of the Standard Specifications and any other appropriate documents on storm water quality controls for construction.

Failure to comply with this program will result in the issuance of noncompliance notices, citations, project stop orders or fines. The fine for noncompliance of the above program is two hundred and fifty dollars (\$250.00) per occurrence per day. The State under the Federal Clean Water Act can also impose a fine on the contractor, pursuant to Cal. Water Code §13385.

26. **TERMINATION:**

In the event Contractor fails or refuses to perform any of the provisions hereof at the time and in the manner required hereunder, Contractor shall be deemed in default in the performance of this Agreement. If such default is not cured within a period of two (2) days after receipt by Contractor from City of written notice of default, specifying the nature of such default and the steps necessary to cure such default, City may terminate the Agreement forthwith by giving to the Contractor written notice thereof.

City shall have the option, at its sole discretion and without cause, of terminating this Agreement by giving seven (7) days' prior written notice to Contractor as provided herein. Upon termination of this Agreement, each party shall pay to the other party that portion of compensation specified in this Agreement that is earned and unpaid prior to the effective date of termination.

27. **COMPLIANCES:**

Contractor shall comply with all laws, state or federal and all ordinances, rules and regulations enacted or issued by City.

28. **CONFLICT OF LAW:**

This Agreement shall be interpreted under, and enforced by the laws of the State of California excepting any choice of law rules which may direct the application of laws of another jurisdiction. The Agreement and obligations of the parties are subject to all valid laws, orders, rules, and regulations of the authorities having jurisdiction over this Agreement (or the successors of those authorities.) Any suits brought pursuant to this Agreement shall be filed with the courts of the County of Alameda, State of California.

29. **ADVERTISEMENT:**

Contractor shall not post, exhibit, display or allow to be posted, exhibited, displayed any signs, advertising, show bills, lithographs, posters or cards of any kind pertaining to the services performed under this Agreement unless prior written approval has been secured from City to do otherwise.

30. **WAIVER:**

A waiver by City of any breach of any term, covenant, or condition contained herein, shall not be deemed to be a waiver of any subsequent breach of the same or any other term, covenant, or condition contained herein, whether of the same or a different character.

31. **INTEGRATED CONTRACT:**

This Agreement represents the full and complete understanding of every kind or nature whatsoever between the parties hereto, and all preliminary negotiations and agreements of whatsoever kind or nature are merged herein. No verbal agreement or implied covenant shall be held to vary the provisions hereof. Any modification of this Agreement will be effective only by written execution signed by both City and Contractor.

32. **INSERTED PROVISIONS:**

Each provision and clause required by law to be inserted into the Agreement shall be deemed to be enacted herein, and the Agreement shall be read and enforced as though each were included herein. If through mistake or otherwise, any such provision is not inserted or is not correctly inserted, the Agreement shall be amended to make such insertion on application by either party.

33. **CAPTIONS:**

The captions in this Agreement are for convenience only, are not a part of the Agreement and in no way affect, limit or amplify the terms or provisions of this Agreement.

IN WITNESS WHEREOF, the parties have caused the Agreement to be executed on the day and year first above written.

CONTRACTOR
(Corporation)

CITY OF ALAMEDA
A Municipal Corporation

Name
Title

Robert G. Haun
Public Works Director

RECOMMENDED FOR APPROVAL

Name
Title

Jesse Barajas
Public Works Superintendent

APPROVED AS TO FORM:
City Attorney

Michael Roush
Interim Assistant City Attorney

POLICY NUMBER:

COMMERCIAL GENERAL LIABILITY
CG 20 10 10 93

THIS ENDORSEMENT CHANGES THE POLICY. PLEASE READ IT CAREFULLY.

ADDITIONAL INSURED - OWNERS, LESSEES or CONTRACTORS FORM B

This endorsement modifies insurance provided under the following:

COMMERCIAL GENERAL LIABILITY COVERAGE PART

SCHEDULE

Name of Person or Organization:

City of Alameda
Public Works Department
Alameda Point, Building 1
950 West Mall Square, Room 110
Alameda, CA 94501-7558

SAMPLE

(If no entry appears above, information required to complete this endorsement will be shown in the Declarations as applicable to this endorsement.)

WHO IS AN INSURED (Section II) is amended to include as an insured the person or organization shown in the Schedule, but only with respect to liability arising out of your ongoing operations performed for that insured.

REF:

The City of Alameda, its City Council, boards and commissions, officers & employees are additional insured for work done on their behalf by the named insured.

PRIMARY INSURANCE:

IT IS UNDERSTOOD AND AGREED THAT THIS INSURANCE IS PRIMARY AND ANY OTHER INSURANCE MAINTAINED BY THE ADDITIONAL INSURED SHALL BE EXCESS ONLY AND NOT CONTRIBUTING WITH THIS INSURANCE.

SEVERABILITY OF INTEREST:

IT IS AGREED THAT EXCEPT WITH RESPECT TO THE LIMIT OF INSURANCE, THIS COVERAGE SHALL APPLY AS IF EACH ADDITIONAL INSURED WERE THE ONLY INSURED AND SEPARATELY TO EACH INSURED AGAINST WHOM CLAIM IS MADE OR SUIT IS BROUGHT.

WAIVER OF SUBROGATION:

IT IS UNDERSTOOD AND AGREED THAT THE COMPANY WAIVES THE RIGHT OF SUBROGATION AGAINST THE ABOVE ADDITIONAL INSURED (S), BUT ONLY AS RESPECTS THE JOB OR PREMISES DESCRIBED IN THE CERTIFICATE ATTACHED HERETO.

NOTICE OF CANCELLATION:

IT IS UNDERSTOOD AND AGREED THAT IN THE EVENT OF CANCELLATION OF THE POLICY FOR ANY REASON OTHER THAN NON-PAYMENT OF PREMIUM, 30 DAYS WRITTEN NOTICE WILL BE SENT TO THE CERTIFICATE HOLDER BY MAIL. IN THE EVENT THE POLICY IS CANCELED FOR NON-PAYMENT OF PREMIUM, 10 DAYS WRITTEN NOTICE WILL BE SENT TO THE ABOVE.

Exhibit 'D

EMERGENCY FORM

Emergency Form

During the course of the work and/or while the contractor has responsibility for the project, emergencies may arise where it is necessary to repair or replace safety devices, or install additional safety devices, or take preventative measures necessary for public safety. Such corrections as may be necessary are the contractor's responsibility and he, or his representative, will be called upon in such emergencies.

Please fill in the following information and submit it to the City Engineer/PW Supervisor.

CONTRACTOR'S NAME _____

CONTRACTOR'S PHONE NUMBER _____

PROJECT SUPERINTENDENT _____

CONTACT IN THE EVENT OF EMERGENCY: _____

Name: _____

Phone Number: _____

In cases where the contractor, or his representative, cannot be contacted or will not take the necessary actions, the City Public Works Department will be notified and the necessary repairs, corrections, or changes will be made. The contractor will be billed for such remedial action. Charges will include the cost of labor at applicable rates, the City's normal overhead factor, the rental of any equipment or safety devices placed during the emergency that are damaged or stolen, or otherwise not returned to the City, will be billed to the contractor.

Scheduled starting date _____

Scheduled completion date _____

Job Name: REMOVAL AND INSTALLATION OF THREE NEW, CITY SUPPLIED, HVAC TRANE ROOF UNITS AT ALAMEDA POLICE DEPARTMENT, P.W. 03-14-12

EXHIBIT “E”

PERFORMANCE BOND FORM

Performance Bond Form

PERFORMANCE BOND

KNOW ALL MEN BY THESE PRESENTS: that

(Name of Contractor)

(Address of Contractor)

a _____, hereinafter called Principal, and
(Corporation, Partnership, or Individual)

(Name of Surety)

(Address of Surety)

hereinafter called Surety, are held and firmly bound unto

(Name of Owner)

(Address of Owner)

hereinafter called OWNER, in the penal sum of _____ Dollars. (\$ _____)

in lawful money of the United States, for the payment of which sum well and truly to be made, we bind ourselves, successors, and assigns, jointly and severally, firmly by these presents.

THE CONDITION OF THIS OBLIGATION is such that whereas, the Principal entered into a certain contract with the OWNER, dated the _____ day of _____, 2014, a copy of which is hereto attached and made a part hereof for the construction of:

NOW, THEREFORE, if the Principal shall well, truly and faithfully perform its duties, all the undertakings, covenants, terms, conditions, and agreements of said contract during the original term thereof, and any extensions thereof which may be granted by the OWNER, with or without notice to the Surety and during the one year guaranty period, and if he shall satisfy all claims and demands incurred under such contract, and shall fully indemnify and save harmless the OWNER from all costs and damages which it may suffer by reason of failure to do so, and shall reimburse and repay the OWNER all outlay and expense which the OWNER may incur in making good any default, then this obligation shall be void; otherwise to remain in full force and effect.

EXHIBIT 'E'

PERFORMANCE BOND FORM

PROVIDED, FURTHER, that the said surety, for value received hereby stipulates and agrees that no change, extension of time, alteration or addition to the terms of the contract or to WORK to be performed thereunder or the SPECIFICATIONS accompanying the same shall in any wise affect its obligation on this BOND, and it does hereby waive notice of any such change, extension of time, alteration or addition to the terms of the contract or to the WORK or to the SPECIFICATIONS.

PROVIDED, FURTHER, that no final settlement between the OWNER and the CONTRACTOR shall abridge the right of any beneficiary hereunder, whose claim may be unsatisfied.

IN WITNESS WHEREOF, this instrument is executed on _____ counterparts, each one

of which shall be deemed an original, this the _____ day of _____, 2014.

ATTEST:

Principal
By: _____
Principal Secretary

(SEAL)

(Witness as to Principal) (Address)

(Address)

(Surety)

ATTEST:

Surety Secretary
(SEAL) By: _____

(Witness as to Surety) Attorney-in-fact

(Address) (Address)

NOTE: Date of BOND must not be prior to date of Contract.
If the CONTRACTOR is Partnership, all partners should execute BOND.

IMPORTANT: Surety companies executing BONDS must appear on the Treasury Department's most current list (Circular 570 as amended) and be authorized to transact business in the state where the PROJECT is located.

Exhibit 'F'

PAYMENT BOND FORM

PAYMENT BOND FORM

KNOW ALL MEN BY THESE PRESENTS: that

a _____, hereinafter called Principal, and

hereinafter called Surety, are held and firmly bound unto _____

hereinafter called OWNER, in the penal sum of _____ Dollars. (\$ _____)

in lawful money of the United States, for the payment of which sum well and truly to be made, we bind ourselves, successors, and assigns, jointly and severally, firmly by these presents.

THE CONDITION OF THIS OBLIGATION is such that whereas, the Principal entered into a certain contract with the OWNER, dated the _____ day of _____, 2014, a copy of which is hereto attached and made a part hereof for the construction of:

NOW, THEREFORE, if the Principal shall promptly make payment to all persons, firms, SUBCONTRACTORS, and corporations furnishing materials for or performing labor in the prosecution of the WORK provided for in such contract, and any authorized extension or modification thereof, including all amounts due for materials, lubricants, oil, gasoline, coal and coke, repairs on machinery, equipment and tools, consumed or used in connection with the construction of such WORK, and all insurance premiums on said WORK, and for all labor, performed in such WORK whether by SUBCONTRACTOR or otherwise, then this obligation shall be void; otherwise to remain in full force and effect.

PAYMENT BOND FORM

PROVIDED, FURTHER, that the said surety, for value received hereby stipulates and agrees that no change, extension of time, alteration or addition to the terms of the contract or to WORK to be performed thereunder or the SPECIFICATIONS accompanying the same shall in any wise affect its obligation on this BOND, and it does hereby waive notice of any such change, extension of time, alteration or addition to the terms of the contract or to the WORK or to the SPECIFICATIONS.

PROVIDED, FURTHER, that no final settlement between the OWNER and the CONTRACTOR shall abridge the right of any beneficiary hereunder, whose claim may be unsatisfied.

IN WITNESS WHEREOF, this instrument is executed on _____ counterparts, each one
(Number)
of which shall be deemed an original, this the _____ day of _____, 2014.

ATTEST: _____
Principal

By: _____
Principal Secretary
(SEAL)

(Witness as to Principal) (Address)

(Address)

(Surety)

ATTEST: _____
Surety Secretary
(SEAL)

By: _____
(Witness as to Surety) Attorney-in-fact

(Address) (Address)

NOTE: Date of BOND must not be prior to date of Contract.
If the CONTRACTOR is Partnership, all partners should execute BOND.

IMPORTANT: Surety companies executing BONDS must appear on the Treasury Department's most current list (Circular 570 as amended) and be authorized to transact business in the state where the PROJECT is located.

Exhibit 'G'

BIDDER'S BOND FORM

EXHIBIT 'G'

Bidder's Proposal Form

Contractor Name _____

BIDDER'S BOND

We, _____
as Principal, and as Surety are bound unto the _____,
hereafter referred to as "obligee", in the penal sum of ten percent (10%) of the total amount of the
bid of the Principal submitted to the Obligee for the work described below, for the payment of
which sum we bind ourselves, jointly, and severally,

THE CONDITION OF THIS OBLIGATION IS SUCH, THAT:
WHEREAS, the Principal is submitted to the Obligee, for _____

(Copy here the exact description of

work, including locations as it appears on the proposal)

for which bids are to be opened per Section 1 Proposal and Contract Requirements, Paragraph E,
Presenting and Marking of Bid.

NOW, THEREFORE, if the Principal is awarded the contract and, within the time and
manner required under the specifications, after the prescribed forms are presented to Contractor
for signature, enters into a written contract, in the prescribed form, in accordance with the bid,
and files two bonds with Obligee, one to guarantee faithful performance of the contract and the
other to guarantee payment for labor and materials as provided by law, then this obligation shall
be null and void; otherwise, it shall remain in full force.

In the event suit is brought upon this bond by the Obligee and judgement is recovered,
the Surety shall pay all cost incurred by the Obligee in such suite, including a reasonable
attorney's fee to be fixed by the court.

The surety; for value received, hereby stipulates and agrees that the obligations of said
Surety and its Bond shall be in no way impaired or affected by any extension of the time within
which the OWNER may accept such BID; and said Surety does hereby waive notice of any such
extension.

Dated: _____, 2014.

Principal

Surety

By: _____

EXHIBIT "G"

CERTIFICATE OF ACKNOWLEDGMENT

State of California
County of Alameda

On this _____ day of _____ in the year 2014 before me
_____, a Notary Public, personally appeared _____

Attorney-in-fact

who proved to me on the basis of satisfactory evidence to be the person(s) whose name(s) is/are subscribed to the within instrument and acknowledged to me that he/she/they executed the same in his/her/their authorized capacity(ies), and that by his/her/their signature(s) on the instrument the person(s), or the entity upon behalf of which the person(s) acted, executed the instrument.

I certify under PENALTY OF PERJURY under the laws of the State of California that the foregoing paragraph is true and correct.

WITNESS my hand and official seal.

Signature _____ (Seal)
Notary Public

Exhibit H

TRANE CUT SHEETS FOR HVAC UNITS



TAG: AC-4

SUBMITTAL

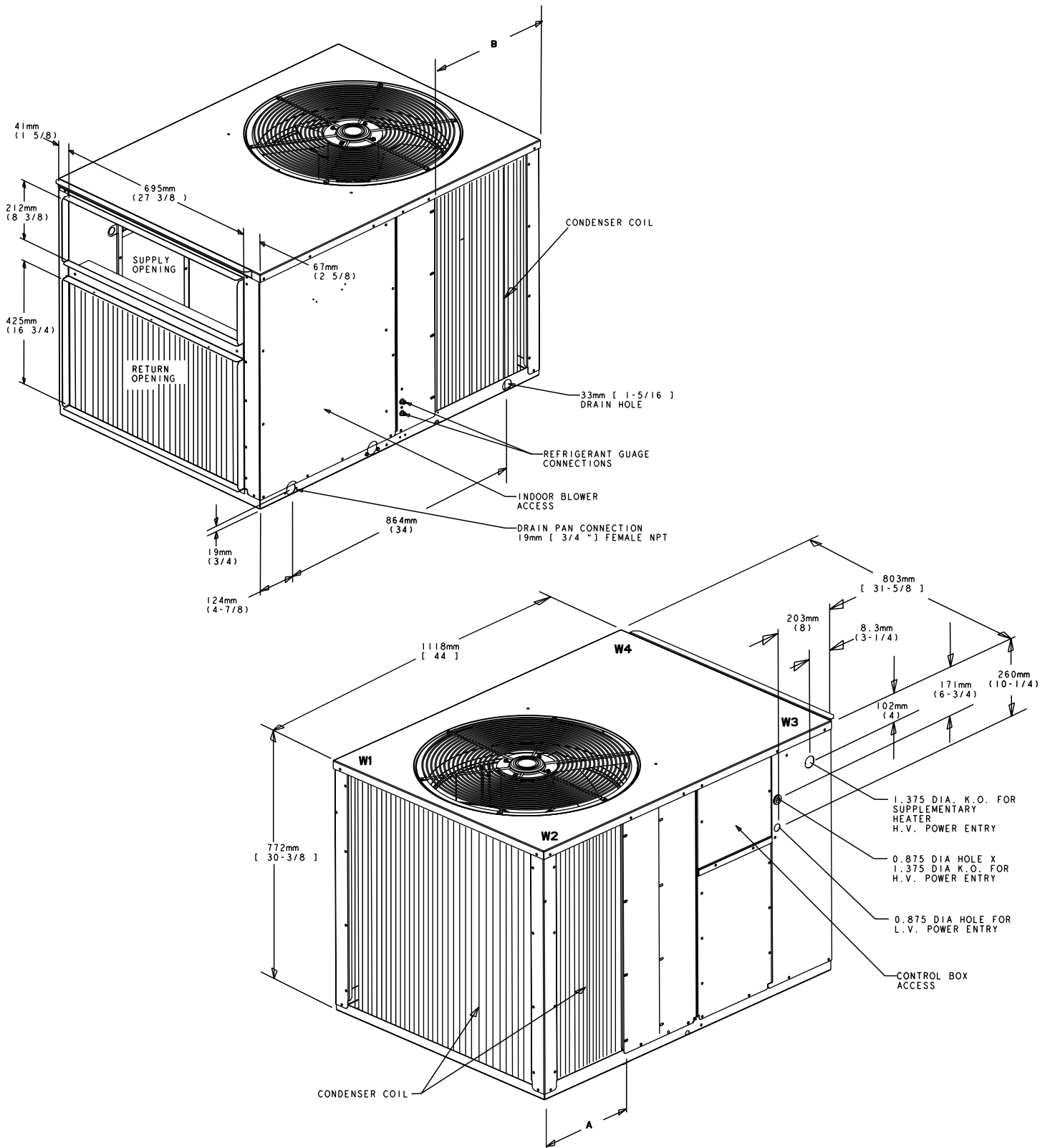
2 Ton Horizontal Packaged Heat Pump 4WHC3024A1000A

PRODUCT SPECIFICATIONS

MODEL	4WHC3024A1000A
RATED Volts/Ph/Hz	208-230/1/60
Performance (COOLING) ①	
BTUH	25400
Indoor Airflow (CFM)	800
Power Input (KW)	2.12
EER/SEER (BTU/Watt-Hr.) ⑥	12.00 / 13.5
Sound Power Rating (dB(A)) ②	76
Performance (HEATING) ①	
(High Temp.) BTUH - C.O.P.	23000 - 3.4
Power Input (KW)	1.99
(Low Temp.) BTUH - C.O.P.	11800 - 2.07
Power Input (KW)	1.67
HSPF (BTU / Watt-Hr.) ⑥	7.7
POWER CONN.—V/Ph/Hz	208-230/1/60
Min. Brch. Cir. Ampacity ③	14
Fuse Size—Max. (amps)	20
Fuse Size—Recmd. (Amps)	20
COMPRESSOR	RECIP
No. Used—No. Speeds	1 - 1
Volts/Ph/Hz	208-230/1/60
R.L. Amps—L.R. Amps	8.3 - 57.8
OUTDOOR COIL—TYPE	PLATE FIN
Rows/F.P.I.	2 / 22
Face Area (sq.ft.)	11.2
Tube Size (in.)	3/8
Refrigerant Control	TXV-NB
INDOOR COIL—TYPE	PLATE FIN
Rows/F.P.I.	4 / 12
Face Area (sq.ft.)	3.44
Tube Size (in.)	3/8
Refrigerant Control	TXV-NB
Drain Conn. Size (in.)	3/4 FEMALE PVC
Duct Connections	SEE OUTLINE DRAWING
OUTDOOR FAN — TYPE	PROPELLER
No. Used/Dia. (in.)	1 / 20
Type Drive/No. Speeds	DIRECT / 1
CFM @ 0.0 in. w.g. ④	2500
No. Motors—HP	1 - 1/5
Motor Speed R.P.M.	850
Volts/Ph/Hz	208-230/1/60
F.L. Amps—L.R. Amps	1.0 - 2.2
INDOOR FAN—TYPE	CENTRIFUGAL
Dia x Width (in.)	9 X 9
No. Used	1
Drive / Speeds (No.)	DIRECT / 2
CFM vs. in. w.g. ⑤	SEE FAN PERF TABLE
No. Motors—HP	1 - 0.25
Motor Speed R.P.M.	1075
Volts/Ph/Hz	208-230/1/60
F.L. Amps	1.8
FILTER / FURNISHED	NO
Type Recommended	THROWAWAY
Min. Face Area ⑦	2.67
REFRIGERANT	
Charge (lbs. of R-410A)	8.8 lbs
DIMENSIONS	H X W X D
Crated (in.)	36 X 33-13/16 X 48
Uncrated	SEE OUTLINE DRAWING
WEIGHT	
Shipping (lbs.)	345
Net (lbs.)	298

- ① Certified in accordance with the Unitary Air-Conditioner Equipment certification program, which is based on AHRI Standard 210/240.
- ② Sound Power values are not adjusted for AHRI 270-95 tonal corrections.
- ③ Calculated in accordance with currently prevailing Nat'l Electrical Code.
- ④ Standard Air — Dry Coil — Outdoor.
- ⑤ Standard Air — Wet Coil — Indoor.
- ⑥ Rated in accordance with D.O.E. test procedure.
- ⑦ Filters must be installed in return air system. Square footages listed are based on 300 f.p.m. face velocity. If permanent filters are used size per manufacturer's recommendations with clean resistance of 0.05" W.C.

Dimensional Data and Weights



MODEL	APPROX. CORNER WEIGHT - KG(LBS)				TOTAL WEIGHT KG(LBS)	COIL DIMENSION-mm (in)	
	W1	W2	W3	W4		A	B
4WHC3024	47 (103)	30 (66)	30 (66)	29 (63)	135 (298)	356 (14)	406 (16)
4WHC3030	47 (103)	30 (66)	30 (66)	29 (63)	135 (298)	356 (14)	406 (16)
4WHC3036	47 (103)	30 (66)	30 (66)	29 (63)	135 (298)	356 (14)	406 (16)
4WHC3042	39 (87)	37 (81)	30 (66)	33 (72)	139 (306)	508 (20)	406 (16)

Unit Performance Data

4WHC3024 Indoor Blower Performance

MOTOR SPEED		EXTERNAL STATIC PRESSURE-IN. W.G.				
		0.2	0.3	0.4	0.5	0.6
② LOW	WATTS	273	258	245	229	---
	CFM	875	811	761	697	---
HIGH	WATTS	354	338	325	312	293
	CFM	1047	994	928	864	767

① - WET COIL, NO FILTERS

② - FACTORY SETTING

D675069
4WHC3024

Supplementary Electric Heater Data

Supplementary Electric Heaters

HEATER MODEL	RATED VOLTAGE	PHASE	AMPS	KW
BAYHTRC106A	208/240	1	20.8/24	4.33/5.76
BAYHTRC111A	208/240	1	38.1/44	7.93/10.56

Mechanical Specifications

General

All units are factory assembled, piped, internally wired and fully charged with R-410A. Units are certified to UL Standard 1995. All units are factory run-tested to check cooling and heating operation, defrost operation, fan and blower rotation and control sequence. Units shall be designed to operate at ambient temperatures between 5°F and 45°F in cooling mode (as shipped) and between 75°F and -20°F in heating mode. Cooling and heating performances are rated in accordance with AHRI standards. Units are designed for either rooftop or ground level installation. All units shall be dedicated horizontal airflow and are not convertible.

Unit Casing

All components are mounted in a weather-resistant steel cabinet with a baked-on enamel finish. Access panels are provided for unit controls, indoor coil and supply air fan. Top covers shall be removable for access or installation of electric heaters and outdoor fan and compressor. Indoor air section is completely insulated with fireproof, permanent, odorless glass fiber material. Knockouts are provided for utility and control connections. Drain connections are provided to accommodate indoor coil water runoff.

Compressor

Hermetically sealed, high efficiency Climatuff® compressor designed for heat pump duty. Internal over current and over temperature protection, low pressure protection.

Refrigerant Circuit

All units have thermostatic expansion valve refrigerant control for heating and cooling operation. Service pressure tap ports, check valves, solenoid-operated reversing valve, and refrigerant line filter driers are standard.

Indoor and Outdoor Coil

Indoor and outdoor coils are constructed of aluminum plate fins mechanically bonded to 0.375-inch seamless copper tubing.

Outdoor Fan

One, direct-drive, statically and dynamically balanced propeller fan is used in a top discharge configuration. Permanently lubricated weatherproof motors have built-in thermal overload protection.

Indoor Fan

Forward-curved, centrifugal-type fan with multispeed, direct-drive motor. Motor shall be permanently lubricated and has built-in overload protection.

Demand Defrost Control

Microcomputer logic is used to sense the need for defrost and permits defrost cycles only when coil icing conditions begin to cause serious heat pump capacity reductions.

Accessories

Supplemental Electric Heater-Heater module shall mount in unit discharge air passage. Each heater assembly includes automatically resetting heat limit switches for thermal protection. A polarized plug provides connection to unit low voltage control wiring.

Indoor Thermostat-Two-stage heating, one-stage cooling thermostat is available in either manual or automatic changeover. Thermostat provides automatic or continuous fan operation and includes outdoor thermistor, emergency heat switch with indicator light, and auxiliary heat indicator light.

Low Ambient Control Kit-Provides low ambient cooling operation to 0°F.

Trane
6300 Troup Hwy.
Tyler, TX 75702
www.trane.com